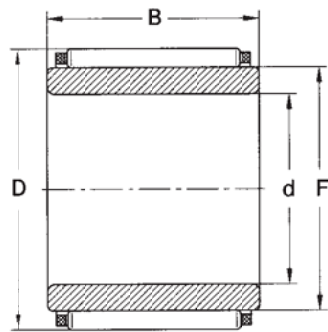


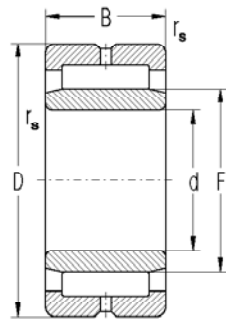
Needle Roller Bearings



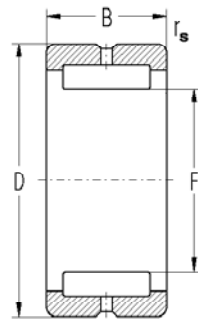
d	Dimensions			Basic Load Rating		Limiting Speed for Lubrication with		Bearing Designation	Weight
	D	B	F	Dynamic C_r	Static C_{or}	Grease	Oil		
mm				kN		min ⁻¹			kg
25	37	28	32	30,4	59,6	9 400	14 000	PLC 43-18-1	0,088

Single Row Needle Roller Bearings

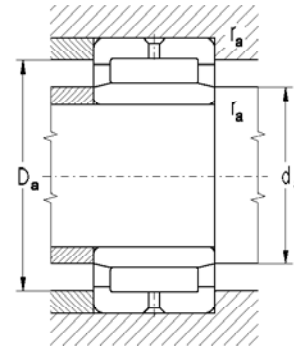
d = 20 to 50 mm



NA



RNA



Dimensions						Basic Load Rating		Limiting Speed for Lubrication with		Bearing Designation		Abutment and Fillet Dimensions					Weight		
d	D	B	r _s min	F	s ¹⁾	C _r	C _{or}	Grease	Oil	NA	R NA	d	d _a min	d _a max	D _a max	r _a max	~	NA	R NA
mm						kN		min ⁻¹				mm					kg		
20	42	22	0.6	28	2	30.4	55.2	3800	5600	NA4004V	R NA4004V	20	24	26	38	0.6	0.176	0.124	
25	47	22	0.6	34	2	36.2	65.6	3300	5000	NA4005V	R NA4005V	25	28	32	43	0.6	0.200	0.134	
30	55	25	1.0	40	2	44.7	89.1	2600	4200	NA4006V	R NA4006V	30	34	38	50	1.0	0.311	0.202	
35	62	27	1.0	46	2	52.1	114	2400	3500	NA4007V	R NA4007V	35	39.5	44	57	1.0	0.419	0.272	
40	68	28	1.0	52	2	55.2	128	2100	3200	NA4008V	R NA4008V	40	44	49	63	1.0	0.495	0.306	
50	72	22	0.6	58	2	43.5	116	1900	2800	NA4910V	R NA4910V	50	54	56.5	68	0.6	0.373	0.260	
	80	30	1.0	62	2	59.6	153	1800	2700	NA4010V	R NA4010V		54	59	75	1.0	0.687	0.440	

1) Permissible axial displacement