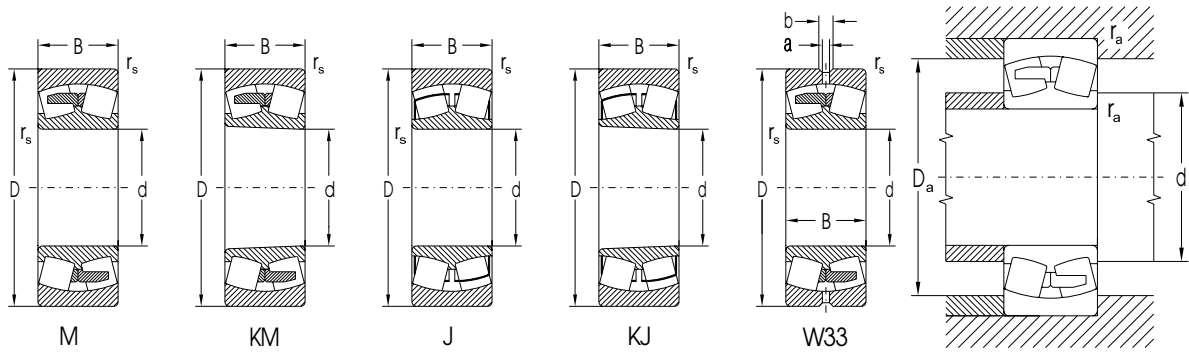


Double Row Spherical Roller Bearings

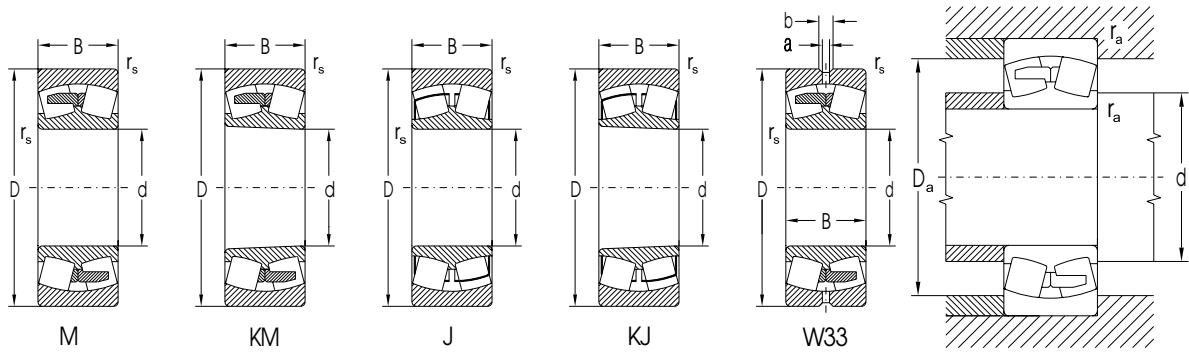
d = 40 to 95 mm



| Dimensions | | | | Basic Load Rating | | Limiting Speed for Lubrication with | | Bearing Designation | | Abutment and Fillet Dimensions | | | | Weight | | Corresp. | Corresp. | Corresp. | Factors | | | | | |
|------------|-----|------|-----------------------|-------------------|-----|-------------------------------------|-----------------|---------------------|------|------------------------------------|-----------------|----|-----------------------|-----------------------|-----------------------|----------|----------|----------------|-------------------|------|-------|----------------|----------------|----------------|
| d | D | B | r _s min | a | b | C _r | C _{or} | Grease | Oil | with Cylindrical with Tapered Bore | | d | d _a min | D _a max | r _a max | ~ | K | Adapter Sleeve | Withdrawal Sleeve | Nut | e | Y ₁ | Y ₂ | Y ₀ |
| mm | | | | | | kN | | min ⁻¹ | | | | mm | | | | kg | | | | | | | | |
| 40 | 90 | 33 | 1.5 | 3.0 | 5.5 | 100 | 108 | 4000 | 4700 | 22308J | 22308KJ | 40 | 47 | 81 | 1.5 | 1.00 | 0.98 | H2308 | AH2308 | KM9 | 0.420 | 1.600 | 2.400 | 1.600 |
| 45 | 100 | 36 | 1.5 | 3.0 | 5.5 | 116 | 132 | 3800 | 4500 | 22309J | 22309KJ | 45 | 52 | 91 | 1.5 | 1.40 | 1.37 | H2309 | AH2309 | KM10 | 0.420 | 1.600 | 2.400 | 1.600 |
| 50 | 110 | 40 | 2.0 | 3.0 | 5.5 | 156 | 180 | 3300 | 4000 | 22310J | 22310KJ | 50 | 60 | 100 | 2.0 | 1.90 | 1.86 | H2310 | AH2310X | KM11 | 0.420 | 1.600 | 2.400 | 1.600 |
| 55 | 120 | 43 | 2.0 | 3.0 | 5.5 | 173 | 200 | 2800 | 3300 | 22311J | 22311KJ | 55 | 65 | 110 | 2.0 | 2.40 | 2.35 | H2311 | AH2311X | KM12 | 0.420 | 1.600 | 2.400 | 1.600 |
| 60 | 130 | 46 | 2.1 | 3.0 | 5.5 | 213 | 237 | 2800 | 3300 | 22312J | 22312KJ | 60 | 72 | 118 | 2.0 | 3.10 | 3.03 | H2312 | AH2312X | KM13 | 0.410 | 1.600 | 2.350 | 1.550 |
| | 130 | 46 | 2.1 | 3.0 | 5.5 | 209 | 230 | 2800 | 3300 | 22312M | 22312KM | | 72 | 118 | 2.0 | 3.27 | 3.20 | H2312 | AH2312X | KM13 | 0.410 | 1.630 | 2.350 | 1.550 |
| 65 | 140 | 48 | 2.1 | 3.0 | 5.5 | 230 | 268 | 2700 | 3200 | 22313J | 22313KJ | 65 | 76 | 128 | 2.0 | 3.31 | 3.23 | H2313 | AH2313 | KM15 | 0.380 | 1.800 | 2.540 | 1.670 |
| | 140 | 48 | 2.1 | 3.0 | 5.5 | 222 | 252 | 2700 | 3200 | 22313M | 22313KM | | 76 | 128 | 2.0 | 3.70 | 3.62 | H2313 | AH2313 | KM15 | 0.380 | 1.800 | 2.540 | 1.670 |
| 70 | 125 | 31 | 1.5 | 3.0 | 5.5 | 153 | 180 | 2800 | 3300 | 22214J | 22214KJ | 70 | 77 | 116 | 1.5 | 1.67 | 1.64 | H314 | AH314 | KM16 | 0.240 | 2.800 | 4.200 | 2.800 |
| | 150 | 51 | 2.1 | 3.0 | 5.5 | 297 | 342 | 2400 | 3000 | 22314J | 22314KJ | | 81 | 138 | 2.0 | 4.35 | 4.24 | H2314 | AH2314X | KM16 | 0.370 | 1.800 | 2.600 | 1.720 |
| | 150 | 51 | 2.1 | 3.0 | 5.5 | 289 | 330 | 2400 | 3000 | 22314M | 22314KM | | 81 | 138 | 2.0 | 4.50 | 4.40 | H2314 | AH2314X | KM16 | 0.370 | 1.800 | 2.600 | 1.720 |
| 75 | 130 | 31 | 1.5 | 3.0 | 5.5 | 157 | 191 | 2700 | 3200 | 22215J | 22215KJ | 75 | 82 | 121 | 1.5 | 1.76 | 1.72 | H315 | AH315 | KM17 | 0.230 | 3.000 | 4.400 | 2.900 |
| | 130 | 31 | 1.5 | 3.0 | 5.5 | 157 | 191 | 2700 | 3200 | 22215CJ | 22215CKJ | | 82 | 121 | 1.5 | 1.76 | 1.72 | H315 | AH315 | KM17 | 0.230 | 3.000 | 4.400 | 2.900 |
| | 160 | 55 | 2.1 | 4.5 | 8.3 | 304 | 368 | 2200 | 2800 | 22315J | 22315KJ | | 86 | 148 | 2.0 | 5.40 | 5.29 | H2315 | AH2315X | KM17 | 0.380 | 1.761 | 2.600 | 1.670 |
| | 160 | 55 | 2.1 | 4.5 | 8.3 | 295 | 354 | 2200 | 2800 | 22315M | 22315KM | | 86 | 148 | 2.0 | 5.65 | 5.54 | H2315 | AH2315X | KM17 | 0.380 | 1.761 | 2.600 | 1.670 |
| 80 | 140 | 33 | 2.0 | 3.0 | 5.5 | 186 | 240 | 2400 | 3000 | 22216CJ | 22216CKJ | 80 | 90 | 130 | 2.0 | 2.20 | 2.16 | H316 | AH316 | KM18 | 0.220 | 3.000 | 4.500 | 3.000 |
| | 140 | 33 | 2.0 | 3.0 | 5.5 | 168 | 208 | 2400 | 3000 | 22216J | 22216KJ | | 90 | 130 | 2.0 | 2.20 | 2.16 | H316 | AH316 | KM18 | 0.240 | 2.835 | 4.000 | 2.700 |
| | 140 | 33 | 2.0 | 3.0 | 5.5 | 154 | 197 | 2400 | 3000 | 22216M | 22216KM | | 90 | 130 | 2.0 | 2.28 | 2.23 | H316 | AH316 | KM18 | 0.260 | 2.600 | 3.800 | 2.500 |
| | 170 | 58 | 2.1 | 4.5 | 8.3 | 359 | 425 | 2200 | 2800 | 22316J | 22316KJ | | 91 | 158 | 2.0 | 6.60 | 6.47 | H2316 | AH2316X | KM18 | 0.370 | 1.840 | 2.766 | 1.755 |
| | 170 | 58 | 2.1 | 4.5 | 8.3 | 349 | 411 | 2200 | 2800 | 22316M | 22316KM | | 91 | 158 | 2.0 | 6.57 | 6.44 | H2316 | AH2316X | KM18 | 0.370 | 1.840 | 2.766 | 1.755 |
| 85 | 150 | 36 | 2.0 | 3.0 | 5.5 | 206 | 261 | 2200 | 2800 | 22217CJ | 22217CKJ | 85 | 95 | 140 | 2.0 | 2.84 | 2.79 | H317 | AH317X | KM19 | 0.240 | 2.700 | 4.000 | 2.700 |
| | 150 | 36 | 2.0 | 3.0 | 5.5 | 186 | 223 | 2200 | 2800 | 22217J | 22217KJ | | 95 | 140 | 2.0 | 2.80 | 2.74 | H317 | AH317X | KM19 | 0.240 | 2.800 | 4.000 | 2.650 |
| | 150 | 36 | 2.0 | 3.0 | 5.5 | 171 | 214 | 2200 | 2800 | 22217M | 22217KM | | 95 | 140 | 2.0 | 2.84 | 2.79 | H317 | AH317X | KM19 | 0.260 | 2.600 | 3.700 | 2.500 |
| | 180 | 60 | 3.0 | 4.5 | 8.3 | 383 | 456 | 2000 | 2500 | 22317J | 22317KJ | | 98 | 166 | 2.5 | 7.40 | 7.20 | H2317 | AH2317X | KM19 | 0.370 | 1.900 | 2.700 | 1.800 |
| | 180 | 60 | 3.0 | 4.5 | 8.3 | 377 | 447 | 2000 | 2500 | 22317M | 22317KM | | 98 | 166 | 2.5 | 7.70 | 7.50 | H2317 | AH2317X | KM19 | 0.370 | 1.900 | 2.700 | 1.800 |
| 90 | 160 | 40 | 2.0 | 4.5 | 8.3 | 209 | 265 | 2000 | 2500 | 22218M | 22218KM | 90 | 100 | 150 | 2.0 | 3.65 | 3.58 | H318 | AH318X | KM20 | 0.260 | 2.600 | 3.700 | 2.500 |
| | 160 | 40 | 2.0 | 4.5 | 8.3 | 222 | 272 | 2000 | 2500 | 22218J | 22218KJ | | 100 | 150 | 2.0 | 3.55 | 3.48 | H318 | AH318X | KM20 | 0.260 | 2.600 | 3.800 | 2.500 |
| | 160 | 40 | 2.0 | 4.5 | 8.3 | 257 | 335 | 2000 | 2500 | 22218CM | 22218CKM | | 100 | 150 | 2.0 | 3.55 | 3.48 | H318 | AH318X | KM20 | 0.260 | 2.600 | 3.700 | 2.500 |
| | 160 | 52.4 | 2.0 | 3.0 | 5.5 | 303 | 412 | 1900 | 2400 | 23218M | 23218KM | | 100 | 150 | 2.0 | 4.70 | 4.57 | H2318 | AH2318X | KM20 | 0.330 | 2.000 | 3.000 | 2.000 |
| | 190 | 64 | 3.0 | 4.5 | 8.3 | 443 | 532 | 1900 | 2400 | 22318J | 22318KJ | | 103 | 176 | 2.5 | 8.58 | 8.42 | H2318 | AH2318X | KM20 | 0.370 | 1.800 | 2.600 | 1.700 |
| | 190 | 64 | 3.0 | 4.5 | 8.3 | 437 | 520 | 1900 | 2400 | 22318M | 22318KM | | 103 | 176 | 2.5 | 9.30 | 9.14 | H2318 | AH2318X | KM20 | 0.370 | 1.800 | 2.600 | 1.700 |
| 95 | 170 | 43 | 2.1 | 4.5 | 8.3 | 257 | 321 | 2000 | 2500 | 22219J | 22219KJ | 95 | 107 | 158 | 2.0 | 4.31 | 4.23 | H319 | AH319X | KM21 | 0.260 | 2.600 | 3.700 | 2.500 |
| | 170 | 43 | 2.1 | 4.5 | 8.3 | 259 | 329 | 2000 | 2500 | 22219M | 22219KM | | 107 | 158 | 2.0 | 4.44 | 4.36 | H319 | AH319X | KM21 | 0.270 | 2.500 | 3.600 | 2.400 |
| | 200 | 67 | 3.0 | 4.5 | 8.3 | 473 | 566 | 1800 | 2200 | 22319M | 22319KM | | 109 | 186 | 2.5 | 10.30 | 10.10 | H2319 | AH2319X | KM21 | 0.370 | 1.800 | 2.700 | 1.800 |

Double Row Spherical Roller Bearings

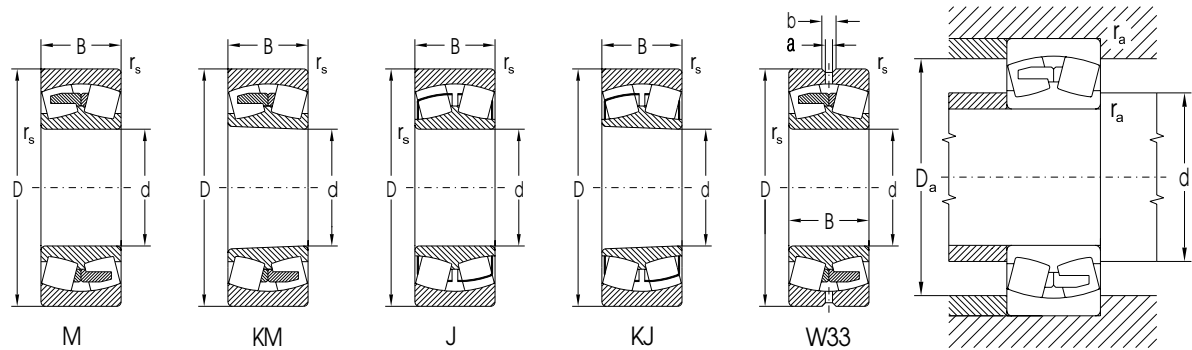
d = 100 to 150 mm



| Dimensions | | | | Basic Load Rating | | Limiting Speed for Lubrication with | | Bearing Designation | | Abutment and Fillet Dimensions | | | | Weight | | Corresp. | Corresp. | Corresp. | Factors | | | | | |
|------------|-----|------|-----------------------|-------------------|------|-------------------------------------|-----------------|---------------------|----------------|---|-----------------|-----|-----------------------|-----------------------|-----------------------|----------|----------|----------------|-------------------|-------|-------|----------------|----------------|----------------|
| d | D | B | r _s min | a | b | C _r | C _{or} | Grease Oil | | with Cylindrical Bore with Tapered Bore | | d | d _a min | D _a max | r _a max | ~ | K | Adapter Sleeve | Withdrawal Sleeve | Nut | e | Y ₁ | Y ₂ | Y ₀ |
| mm | | | | | | kN | | min ⁻¹ | | | | mm | | | | kg | | | | | | | | |
| 100 | 150 | 37 | 2.0 | - | - | 190 | 294 | 2400 | 3200 | 23020M | | 100 | 115 | 135 | 2.0 | 2.60 | - | - | - | - | 0.240 | 2.800 | 4.000 | 2.600 |
| | 180 | 46 | 2.1 | 4.5 | 8.3 | 300 | 386 | 1900 | 2400 | 22220J | 22220KJ | 112 | 168 | 2.0 | 5.00 | 4.87 | H320 | AH320X | KM22 | 0.270 | 2.600 | 3.700 | 2.400 | |
| | 180 | 46 | 2.1 | 4.5 | 8.3 | 345 | 450 | 2200 | 2800 | 22220CJ | 22220CKJ | 112 | 168 | 2.0 | 5.00 | 5.10 | H320 | AH320X | KM22 | 0.240 | 2.800 | 4.200 | 2.800 | |
| | 180 | 46 | 2.1 | 4.5 | 8.3 | 290 | 375 | 1900 | 2400 | 22220M | 22220KM | 112 | 168 | 2.0 | 5.36 | 5.26 | H320 | AH320X | KM22 | 0.270 | 2.500 | 3.500 | 2.300 | |
| | 180 | 60.3 | 2.1 | 4.5 | 8.3 | 390 | 532 | 1700 | 2000 | 23220M | 23220KM | 112 | 168 | 2.0 | 6.90 | 6.71 | H2320 | AH3220X | KM22 | 0.350 | 1.900 | 2.900 | 1.900 | |
| | 215 | 73 | 3.0 | 6.0 | 11.1 | 563 | 686 | 1700 | 2000 | 23220M | 23220KM | 113 | 201 | 2.5 | 13.00 | 12.70 | H2320 | AH2320X | KM22 | 0.370 | 1.800 | 2.600 | 1.700 | |
| 110 | 170 | 45 | 2.0 | - | - | 267 | 407 | 2200 | 3000 | 23022M | 23022KM | 110 | 125 | 152 | 2.0 | 3.75 | 3.7 | H322 | AH3022X | KM22 | 0.260 | 2.600 | 3.700 | 2.500 |
| | 180 | 56 | 2.0 | 4.5 | 8.3 | 390 | 600 | 1700 | 2000 | 23122CJ | 23122CKJ | 120 | 170 | 2.0 | 5.50 | 5.32 | H3122 | AH3122X | KM24 | 0.310 | 2.200 | 3.200 | 2.100 | |
| | 180 | 56 | 2.0 | 4.5 | 8.3 | 354 | 541 | 1700 | 2000 | 23122M | 23122KM | 120 | 170 | 2.0 | 5.83 | 5.65 | H3122 | AH3122X | KM24 | 0.310 | 2.200 | 3.100 | 2.000 | |
| | 200 | 53 | 2.1 | 4.5 | 8.3 | 376 | 491 | 1700 | 2000 | 22222J | 22222KJ | 122 | 188 | 2.0 | 7.50 | 7.35 | H322 | AH3122X | KM24 | 0.280 | 2.400 | 3.500 | 2.300 | |
| | 200 | 53 | 2.1 | 4.5 | 8.3 | 365 | 474 | 1700 | 2000 | 22222M | 22222KM | 122 | 188 | 2.0 | 7.56 | 7.41 | H322 | AH3122X | KM24 | 0.280 | 2.400 | 3.500 | 2.300 | |
| | 200 | 70 | 2.1 | 4.5 | 8.3 | 502 | 706 | 1500 | 1800 | 23222M | 23222KM | 122 | 188 | 2.0 | 9.90 | 9.62 | H2322 | AH3222X | KM25 | 0.360 | 1.900 | 2.700 | 1.800 | |
| 120 | 240 | 80 | 3.0 | 6.0 | 11.1 | 662 | 801 | 1500 | 1800 | 22322M | 22322KM | 124 | 226 | 2.5 | 18.20 | 17.90 | H2322 | AH2322X | KM25 | 0.370 | 1.800 | 2.600 | 1.700 | |
| | 180 | 46 | 2.0 | 3.0 | 5.5 | 299 | 494 | 1600 | 1900 | 23024J | 23024KJ | 120 | 128 | 171 | 2.0 | 4.50 | 4.37 | H3024 | AH3024X | KM26 | 0.250 | 2.700 | 3.900 | 2.600 |
| | 180 | 46 | 2.0 | 3.0 | 5.5 | 287 | 467 | 1600 | 1900 | 23024M | 23024KM | 128 | 171 | 2.0 | 4.37 | 4.24 | H3024 | AH3024X | KM26 | 0.250 | 2.700 | 3.900 | 2.600 | |
| | 200 | 62 | 2.0 | 4.5 | 8.3 | 430 | 648 | 1500 | 1800 | 23124M | 23124KM | 130 | 190 | 2.0 | 8.33 | 8.09 | H3124 | AH3124X | KM26 | 0.320 | 2.100 | 3.100 | 2.000 | |
| | 215 | 58 | 2.1 | 6.0 | 11.1 | 447 | 593 | 1600 | 1900 | 22224J | 22224KJ | 132 | 203 | 2.0 | 9.30 | 9.10 | H3124 | AH3124X | KM26 | 0.290 | 2.400 | 3.400 | 2.300 | |
| | 215 | 58 | 2.1 | 6.0 | 11.1 | 439 | 580 | 1600 | 1900 | 22224M | 22224KM | 132 | 203 | 2.0 | 9.42 | 9.22 | H3124 | AH3124X | KM26 | 0.290 | 2.400 | 3.500 | 2.300 | |
| 130 | 215 | 76 | 2.1 | 6.0 | 11.1 | 564 | 803 | 1400 | 1700 | 23224M | 23224KM | 132 | 203 | 2.0 | 12.30 | 11.90 | H2324 | AH3224X | KM27 | 0.360 | 1.900 | 2.700 | 1.800 | |
| | 260 | 86 | 3.0 | 6.0 | 11.1 | 808 | 1003 | 1400 | 1700 | 22324J | 22324KJ | 134 | 246 | 2.5 | 21.90 | 21.40 | H2324 | AH2324X | KM27 | 0.360 | 1.900 | 2.800 | 1.700 | |
| | 260 | 86 | 3.0 | 6.0 | 11.1 | 782 | 962 | 1400 | 1700 | 22324M | 22324KM | 134 | 246 | 2.5 | 24.00 | 23.50 | H2324 | AH2324X | KM27 | 0.360 | 1.900 | 2.700 | 1.700 | |
| | 200 | 52 | 2.0 | 3.0 | 5.5 | 367 | 579 | 1500 | 1800 | 23026M | 23026KM | 130 | 138 | 191 | 2.0 | 6.30 | 6.12 | H3026 | AH3026X | KM28 | 0.250 | 2.600 | 3.800 | 2.500 |
| | 210 | 64 | 2.0 | 4.5 | 8.3 | 474 | 752 | 1400 | 1700 | 23126M | 23126KM | 140 | 200 | 2.0 | 9.10 | 8.82 | H3126 | AH3126X | KM28 | 0.300 | 2.200 | 3.100 | 2.100 | |
| | 230 | 64 | 3.0 | 6.0 | 11.1 | 525 | 726 | 1500 | 1800 | 22226M | 22226KM | 144 | 216 | 2.5 | 11.70 | 11.50 | H3126 | AH3126X | KM28 | 0.290 | 2.300 | 3.300 | 2.200 | |
| 140 | 230 | 80 | 3.0 | 6.0 | 11.1 | 636 | 948 | 1300 | 1600 | 23226M | 23226KM | 144 | 216 | 2.5 | 14.60 | 14.10 | H2326 | AH3226X | KM29 | 0.360 | 1.900 | 2.700 | 1.700 | |
| | 280 | 93 | 4.0 | 7.5 | 13.9 | 904 | 1125 | 1300 | 1600 | 22326M | 22326KM | 148 | 262 | 3.0 | 28.60 | 28.00 | H2326 | AH3226X | KM29 | 0.370 | 1.800 | 2.700 | 1.800 | |
| | 210 | 53 | 2.0 | 4.5 | 8.3 | 380 | 633 | 1400 | 1700 | 23028M | 23028KM | 140 | 148 | 200 | 2.0 | 6.87 | 6.65 | H3028 | AH3028X | KM30 | 0.250 | 2.700 | 3.900 | 2.600 |
| | 225 | 68 | 2.1 | 4.5 | 8.3 | 540 | 865 | 1300 | 1600 | 23128M | 23128KM | 152 | 213 | 2.0 | 10.80 | 10.50 | H3128 | AH3128X | KM30 | 0.300 | 2.200 | 3.200 | 2.100 | |
| | 250 | 68 | 3.0 | 6.0 | 11.1 | 605 | 822 | 1400 | 1700 | 22228M | 22228KM | 154 | 236 | 2.5 | 15.00 | 14.70 | H3128 | AH3128X | KM30 | 0.290 | 2.400 | 3.500 | 2.300 | |
| | 250 | 88 | 3.0 | 7.5 | 13.9 | 755 | 1105 | 1200 | 1500 | 23228M | 23228KM | 154 | 236 | 2.5 | 19.20 | 18.60 | H2328 | AH3228X | KM31 | 0.360 | 1.900 | 2.700 | 1.800 | |
| 150 | 300 | 102 | 4.0 | 9.0 | 16.7 | 993 | 1268 | 1200 | 1500 | 22328M | 22328KM | 158 | 282 | 3.0 | 36.20 | 35.40 | H2328 | AH3228X | KM31 | 0.380 | 1.800 | 2.500 | 1.700 | |
| | 225 | 56 | 2.1 | 4.5 | 8.3 | 419 | 697 | 1300 | 1600 | 23030M | 23030KM | 150 | 159 | 213 | 2.0 | 8.25 | 8.01 | H3030 | AH3030X | KM32 | 0.250 | 2.700 | 4.000 | 2.600 |
| | 250 | 80 | 2.1 | 4.5 | 8.3 | 711 | 1124 | 1200 | 1500 | 23130M | 23130KM | 162 | 238 | 2.0 | 16.40 | 15.90 | H3130 | AH3130X | KM33 | 0.320 | 2.100 | 3.100 | 2.000 | |
| | 270 | 73 | 3.0 | 7.5 | 13.9 | 668 | 920 | 1300 | 1600 | 22230M | 22230KM | 164 | 256 | 2.5 | 18.50 | 18.10 | H3130 | AH3130X | KM33 | 0.290 | 2.300 | 3.400 | 2.200 | |
| | 270 | 96 | 3.0 | 7.5 | 13.9 | 874 | 1302 | 1100 | 1400 | 23230M | 23230KM | 164 | 256 | 2.5 | 24.60 | 23.90 | H2330 | AH3230X | KM33 | 0.370 | 1.800 | 2.700 | 1.800 | |
| | 320 | 108 | 4.0 | 9.0 | 16.7 | 1102 | 1478 | 1100 | 1400 | 22330M | 22330KM | 168 | 302 | 3.0 | 43.60 | 42.70 | H2330 | AH2330X | KM33 | 0.380 | 1.800 | 2.600 | 1.700 | |
| 320 | 108 | 4.0 | 9.0 | 16.7 | 1200 | 1660 | 1140 | 1460 | 22330CM | | 168 | 302 | 3.0 | 41.70 | | | | | | 0.370 | 1.800 | 2.700 | 1.800 | |

Double Row Spherical Roller Bearings

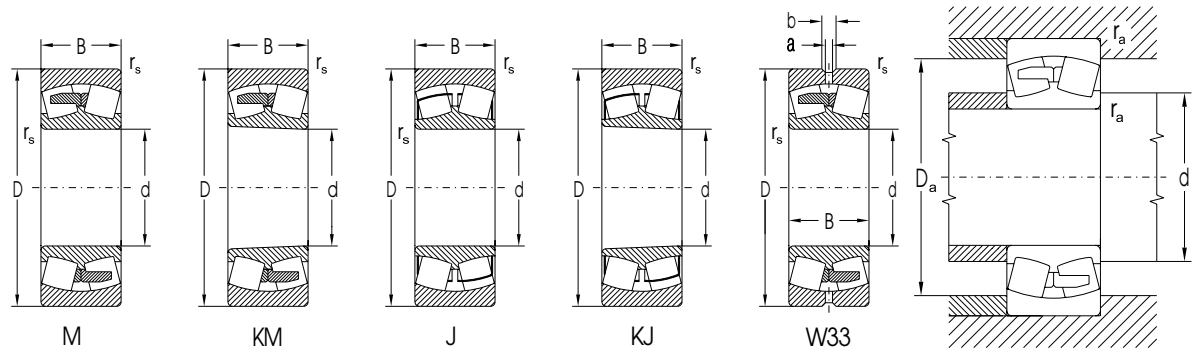
d = 160 to 200 mm



| Dimensions | | | | Basic Load Rating | | Limiting Speed for Lubrication with | | Bearing Designation | | Abutment and Fillet Dimensions | | | | Weight | | Corresp. | Corresp. | Corresp. | Factors | | | | | | | |
|------------|-----|-----|-----------------------|-------------------|------|-------------------------------------|-----------------|---------------------|---------------|--------------------------------|-------------------|-------------------|-----------------------|-----------------------|-----------------------|----------|----------|----------------|-------------------|--------|---------|----------------|----------------|----------------|-------|-------|
| d | D | B | r _s min | a | b | C _r | C _{or} | Grease | Oil | with Cylindrical Bore | with Tapered Bore | d | d _a min | D _a max | r _a max | ~ | K | Adapter Sleeve | Withdrawal Sleeve | Nut | e | Y ₁ | Y ₂ | Y ₀ | | |
| mm | | | | | | kN | | min ⁻¹ | | | | mm | | | | kg | | | | | | | | | | |
| 160 | 240 | 60 | 2.1 | 4.5 | 8.3 | 496 | 848 | 1200 | 1500 | 23032M | 23032KM | 160 | 169 | 228 | 2.0 | 10.30 | 10.00 | H3032 | AH3032 | KM34 | 0.240 | 2.800 | 4.100 | 2.700 | | |
| | 270 | 86 | 2.1 | 6.0 | 11.1 | 784 | 1238 | 1100 | 1400 | 23132M | 23132KM | | 172 | 258 | 2.0 | 20.80 | 20.20 | H3132 | AH3132 | KM36 | 0.320 | 2.100 | 3.100 | 2.000 | | |
| | 290 | 80 | 3.0 | 7.5 | 13.9 | 814 | 1141 | 1200 | 1500 | 22232M | 22232KM | | 174 | 276 | 2.5 | 23.40 | 22.90 | H3132 | AH3132 | KM36 | 0.300 | 2.300 | 3.300 | 2.200 | | |
| | 290 | 104 | 3.0 | 7.5 | 13.9 | 1144 | 1860 | 1000 | 1300 | 23232CM | 23232CKM | | 174 | 276 | 2.5 | 31.00 | 30.10 | H2332 | AH2332 | KM36 | 0.360 | 1.900 | 2.800 | 1.800 | | |
| | 290 | 104 | 3.0 | 7.5 | 13.9 | 1100 | 1169 | 1000 | 1300 | 23232M | 23232KM | | 174 | 276 | 2.5 | 31.00 | 30.10 | H2332 | AH2332 | KM36 | 0.360 | 1.900 | 2.800 | 1.800 | | |
| 340 | 114 | 4.0 | 9.0 | 16.7 | 1246 | 1682 | 1000 | 1300 | 22332M | 22332KM | 178 | 322 | 3.0 | 51.90 | 50.80 | H2332 | AH2332 | KM36 | 0.380 | 1.800 | 2.600 | 1.700 | | | | |
| 170 | 260 | 67 | 2.1 | 6.0 | 11.1 | 618 | 1047 | 1100 | 1400 | 23034M | 23034KM | 170 | 179 | 248 | 2.0 | 13.40 | 13.00 | H3034 | AH3034 | KM36 | 0.250 | 2.700 | 3.800 | 2.600 | | |
| | 260 | 90 | 2.1 | 4.5 | 8.3 | 840 | 1580 | 1100 | 1400 | 24034CM | 24034CK30M | | 182 | 248 | 2.0 | 17.50 | 17.00 | | AH24034 | KM36 | 0.320 | 2.100 | 3.100 | 2.100 | | |
| | 280 | 88 | 2.1 | 6.0 | 11.1 | 826 | 1352 | 1000 | 1300 | 23134M | 23134KM | | 182 | 268 | 2.0 | 22.40 | 21.70 | H3134 | AH3134 | KM38 | 0.320 | 2.100 | 3.100 | 2.100 | | |
| | 310 | 86 | 4.0 | 7.5 | 13.9 | 921 | 1310 | 1100 | 1400 | 22234M | 22234KM | | 188 | 293 | 3.0 | 29.00 | 28.40 | H3134 | AH3134 | KM38 | 0.300 | 2.300 | 3.200 | 2.160 | | |
| | 310 | 110 | 4.0 | 7.5 | 13.9 | 1230 | 1900 | 940 | 1200 | 23234M | 23234KM | | 188 | 292 | 3.0 | 37.70 | 36.70 | H2334 | AH2334 | KM38 | 0.340 | 2.000 | 3.000 | 2.000 | | |
| | 310 | 110 | 4.0 | 7.5 | 13.9 | 1280 | 1880 | 1100 | 1400 | 23234CM | 23234CKM | | 188 | 293 | 3.0 | 37.70 | 36.70 | H2334 | AH2334 | KM38 | 0.370 | 1.900 | 2.800 | 1.800 | | |
| | 360 | 120 | 4.0 | 9.0 | 16.7 | 1402 | 1966 | 940 | 1200 | 22334M | 22334KM | | 188 | 342 | 3.0 | 62.00 | 58.70 | H2334 | AH2334 | KM38 | 0.370 | 1.800 | 2.600 | 1.700 | | |
| | 280 | 74 | 2.1 | 6.0 | 11.1 | 725 | 1229 | 1000 | 1300 | 23036M | 23036KM | | 189 | 268 | 2.0 | 17.60 | 17.10 | H3036 | AH3036 | KM38 | 0.260 | 2.600 | 3.700 | 2.500 | | |
| 180 | 280 | 100 | 2.1 | 4.5 | 8.3 | 1020 | 1960 | 1150 | 1500 | 24036CM | 24036CK30M | 192 | 268 | 2.0 | 23.00 | 22.0 | | AH24036 | KM38 | 0.340 | 2.000 | 2.900 | 1.900 | | | |
| | 300 | 96 | 3.0 | 6.0 | 11.1 | 957 | 1539 | 940 | 1200 | 23136M | 23136KM | 194 | 286 | 2.5 | 28.40 | 27.50 | H3136 | AH3136 | KM40 | 0.320 | 2.100 | 2.900 | 2.000 | | | |
| | 300 | 118 | 4.0 | 6.0 | 11.1 | 1250 | 2400 | 700 | 850 | 24136CJ | | 194 | 286 | 2.5 | 27.70 | | | | | 0.370 | 1.800 | 2.700 | 1.800 | | | |
| | 320 | 86 | 4.0 | 9.0 | 16.7 | 943 | 1383 | 1000 | 1300 | 22236M | 22236KM | 198 | 302 | 3.0 | 30.50 | 29.80 | H3136 | AH2236 | KM40 | 0.290 | 2.400 | 3.500 | 2.300 | | | |
| | 320 | 112 | 4.0 | 7.5 | 13.9 | 1305 | 2080 | 890 | 1100 | 23236M | 23236KM | 198 | 302 | 3.0 | 39.80 | 38.60 | H2336 | AH2336 | KM40 | 0.310 | 2.200 | 3.200 | 2.100 | | | |
| | 320 | 112 | 4.0 | 7.5 | 13.9 | 1360 | 2110 | 890 | 1100 | 23236CM | 23236CKM | 198 | 302 | 3.0 | 39.80 | 38.60 | H2336 | AH2336 | KM40 | 0.360 | 1.900 | 2.800 | 1.900 | | | |
| | 380 | 126 | 4.0 | 12.0 | 22.3 | 1542 | 2127 | 890 | 1100 | 22336M | 22336KM | 198 | 362 | 3.0 | 71.40 | 69.90 | H2336 | AH2336 | KM40 | 0.370 | 1.800 | 2.600 | 1.700 | | | |
| | 190 | 290 | 75 | 2.1 | 6.0 | 11.1 | 759 | 1311 | 940 | 1200 | 23038M | 23038KM | 190 | 202 | 278 | 2.0 | 18.80 | 18.30 | H3038 | AH3038 | HML41T | 0.250 | 2.700 | 3.800 | 2.500 | |
| 290 | | 100 | 2.1 | 4.5 | 8.3 | 1070 | 2060 | 1100 | 1400 | 24038CM | 24038CK30M | 202 | | 278 | 2.0 | 24.00 | 22.0 | | AH24038 | KM40 | 0.320 | 2.100 | 3.100 | 2.100 | | |
| 320 | | 104 | 3.0 | 7.5 | 13.9 | 1126 | 1838 | 890 | 1100 | 23138M | 23138KM | 204 | | 306 | 2.5 | 35.50 | 34.40 | H3138 | AH3138 | HM42T | 0.330 | 2.100 | 3.000 | 2.000 | | |
| 340 | | 92 | 4.0 | 9.0 | 16.7 | 1040 | 1550 | 940 | 1200 | 22238M | 22238KM | 208 | | 322 | 3.0 | 37.40 | 36.60 | H3138 | AH2238 | HM42T | 0.290 | 2.300 | 3.300 | 2.200 | | |
| 340 | | 120 | 4.0 | 9.0 | 16.7 | 1460 | 2360 | 840 | 1000 | 23238M | 23238KM | 208 | | 322 | 4.0 | 48.50 | 47.10 | H2338 | AH2338 | HM42T | 0.320 | 2.100 | 3.200 | 2.100 | | |
| 340 | | 120 | 4.0 | 9.0 | 16.7 | 1550 | 2420 | 840 | 1000 | 23238CM | 23238CKM | 208 | | 322 | 3.0 | 48.50 | 47.10 | H2338 | AH2338 | HM42T | 0.360 | 1.900 | 2.800 | 1.800 | | |
| 400 | | 132 | 5.0 | 12.0 | 22.3 | 1750 | 2545 | 840 | 1000 | 22338M | 22338KM | 212 | | 378 | 4.0 | 84.10 | 80.50 | H2338 | AH2338 | HM42T | 0.310 | 2.200 | 3.200 | 2.100 | | |
| 400 | | 132 | 5.0 | 12.0 | 22.3 | 1920 | 2710 | 840 | 1000 | 22338CM | 22338CKM | 212 | | 378 | 4.0 | 84.10 | 82.50 | H2338 | AH2338 | HM42T | 0.360 | 1.900 | 2.800 | 1.900 | | |
| 200 | | 310 | 82 | 2.1 | 6.0 | 11.1 | 880 | 1800 | 890 | 1100 | 23040CM | 23040CKM | | 200 | 212 | 298 | 2.0 | 23.80 | 23.40 | H3040 | AH3040 | HML43T | 0.250 | 2.700 | 4.000 | 2.700 |
| | | 310 | 109 | 2.1 | 6.0 | 11.1 | 1205 | 2150 | 1050 | 1300 | 24040CM | 24040CK30M | | | 212 | 298 | 2.0 | 30.5 | 29.00 | | AH24040 | HM42T | 0.340 | 2.000 | 3.000 | 2.000 |
| | 340 | 112 | 3.0 | 9.0 | 16.7 | 1236 | 2006 | 840 | 1000 | 23140M | 23140KM | 214 | 326 | | 2.5 | 43.70 | 42.40 | H3140 | AH3140 | HM44T | 0.330 | 2.000 | 3.000 | 2.000 | | |
| | 360 | 98 | 4.0 | 9.0 | 16.7 | 1164 | 1756 | 890 | 1100 | 22240M | 22240KM | 218 | 342 | | 3.0 | 45.00 | 44.10 | H3140 | AH2240 | HM44T | 0.290 | 2.300 | 3.300 | 2.200 | | |
| | 360 | 128 | 4.0 | 9.0 | 16.7 | 1620 | 2560 | 790 | 940 | 23240M | 23240KM | 218 | 342 | | 3.0 | 58.40 | 56.7 | H2340 | AH3240 | HM44T | 0.320 | 2.100 | 3.200 | 2.100 | | |
| | 360 | 128 | 4.0 | 9.0 | 16.7 | 1710 | 2760 | 790 | 940 | 23240CM | 23240CKM | 218 | 342 | | 3.0 | 58.40 | 56.7 | H2340 | AH3240 | HM44T | 0.360 | 1.900 | 2.800 | 1.900 | | |
| | 420 | 138 | 5.0 | 12.0 | 22.3 | 1823 | 2648 | 790 | 940 | 22340M | 22340KM | 222 | 398 | | 4.0 | 95.40 | 93.40 | H2340 | AH2340 | HM44T | 0.360 | 1.900 | 2.700 | 1.800 | | |

Double Row Spherical Roller Bearings

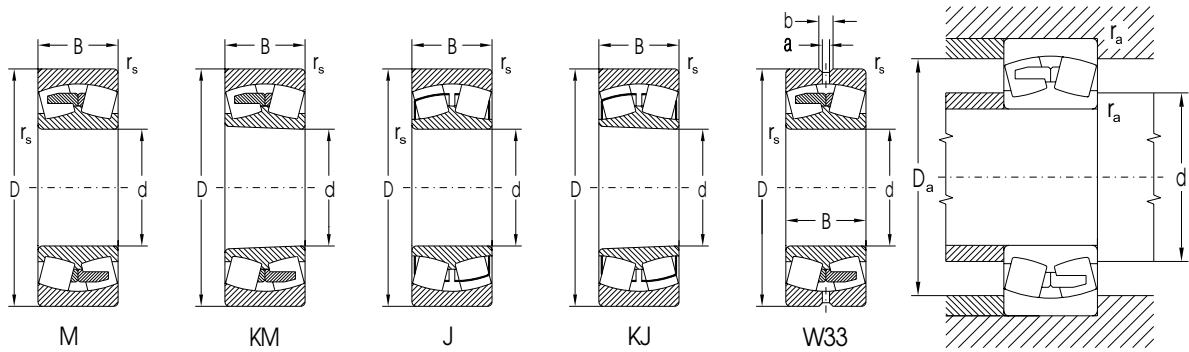
d = 220 to 340 mm



| Dimensions | | | | Basic Load Rating | | Limiting Speed for Lubrication with | | Bearing Designation | | Abutment and Fillet Dimensions | | | | Weight | | Corresp. | Corresp. | Corresp. | Factors | | | | | |
|------------|-----|-----|-----------------------|-------------------|------|-------------------------------------|-----------------|---------------------|----------------|------------------------------------|-------------------|-----|-----------------------|-----------------------|-----------------------|----------|----------|----------------|-------------------|--------|-------|----------------|----------------|----------------|
| d | D | B | r _s min | a | b | C _r | C _{or} | Grease | Oil | with Cylindrical with Tapered Bore | | d | d _a min | D _a max | r _a max | ~ | K | Adapter Sleeve | Withdrawal Sleeve | Nut | e | Y ₁ | Y ₂ | Y ₀ |
| mm | | | | | | kN | | min ⁻¹ | | | | mm | | | | kg | | | | | | | | |
| 220 | 340 | 90 | 3.0 | 7.5 | 13.9 | 1020 | 1900 | 790 | 940 | 23044CM | | 220 | 234 | 326 | 2.5 | 31.50 | 0.60 | H3044 | AH3044 | HML47T | 0.260 | 2.600 | 3.900 | 2.500 |
| | 340 | 90 | 3.0 | 7.5 | 13.9 | 1057 | 1863 | 790 | 940 | 23044M | 23044KM | | 234 | 326 | 2.5 | 31.50 | 0.60 | | | | 0.260 | 2.600 | 3.800 | 2.500 |
| | 340 | 118 | 3.0 | 6.0 | 11.4 | 1340 | 2420 | 900 | 1200 | 24044CM | 24044CK30M | | 234 | 326 | 2.5 | 39.0 | 38.1 | | AH24044 | HM46T | 0.330 | 2.100 | 3.100 | 2.000 |
| | 370 | 120 | 4.0 | 9.0 | 16.7 | 1476 | 2468 | 750 | 890 | 23144M | 23144KM | | 238 | 352 | 3.0 | 54.80 | 53.20 | H3144 | AH3144 | HM48T | 0.330 | 2.000 | 3.000 | 2.000 |
| | 400 | 108 | 4.0 | 9.0 | 16.7 | 1378 | 2075 | 790 | 940 | 22244M | 22244KM | | 238 | 382 | 3.0 | 63.00 | 61.70 | H3144 | AH2244 | HM48T | 0.290 | 2.400 | 3.400 | 2.200 |
| | 400 | 144 | 4.0 | 9.0 | 16.7 | 1967 | 3138 | 710 | 840 | 23244M | 23244KM | | 238 | 382 | 3.0 | 82.00 | 79.60 | H2344 | AH2344 | HM48T | 0.370 | 1.800 | 2.600 | 1.700 |
| | 400 | 144 | 4.0 | 9.0 | 16.7 | 2040 | 3750 | 710 | 840 | 23244CM | | | 238 | 382 | 3.0 | 83.00 | | | | | 0.370 | 1.900 | 2.600 | 1.700 |
| | 460 | 145 | 5.0 | 12.0 | 22.3 | 2111 | 3126 | 750 | 890 | 22344M | 22344KM | | 242 | 438 | 4.0 | 128.00 | 126.00 | H2344 | AH2344 | HM48T | 0.350 | 1.900 | 2.800 | 1.800 |
| 240 | 360 | 92 | 3.0 | 7.5 | 13.9 | 1080 | 2320 | 750 | 890 | 23048CM | | 240 | 254 | 346 | 2.5 | 34.00 | | | | | 0.250 | 2.800 | 4.200 | 2.800 |
| | 360 | 92 | 3.0 | 7.5 | 13.9 | 1073 | 1950 | 750 | 890 | 23048M | 23048KM | | 254 | 346 | 2.5 | 35.50 | 35.40 | H3048 | AH3048 | HML52T | 0.250 | 2.700 | 4.100 | 2.600 |
| | 360 | 118 | 3.0 | 6.0 | 11.1 | 1500 | 2990 | 800 | 1000 | 24048CM | 24040CK30M | | 254 | 346 | 2.5 | 42.50 | 41.00 | | AH24048 | HM50T | 0.330 | 2.100 | 3.100 | 2.000 |
| | 400 | 128 | 4.0 | 9.0 | 16.7 | 1685 | 2864 | 710 | 840 | 23148M | 23148KM | | 258 | 382 | 3.0 | 67.60 | 65.60 | H3148 | AH3148 | HM52T | 0.320 | 2.100 | 3.000 | 1.900 |
| | 440 | 120 | 4.0 | 12.0 | 22.3 | 1663 | 2559 | 750 | 890 | 22248M | 22248KM | | 258 | 422 | 3.0 | 85.00 | 83.20 | H3148 | AH2248 | HM52T | 0.290 | 2.300 | 3.400 | 2.300 |
| | 440 | 160 | 4.0 | 12.0 | 22.3 | 2302 | 3710 | 630 | 750 | 23248M | 23248KM | | 258 | 422 | 3.0 | 111.00 | 108.00 | H2348 | AH2348 | HM52T | 0.380 | 1.800 | 2.500 | 1.700 |
| | 500 | 155 | 5.0 | 12.0 | 22.3 | 2438 | 3689 | 670 | 790 | 22348M | 22348KM | | 262 | 478 | 4.0 | 157.00 | 154.00 | H2348 | AH2348 | HM52T | 0.340 | 1.900 | 2.800 | 1.800 |
| | 260 | 400 | 104 | 4.0 | 9.0 | 16.7 | 1460 | 2700 | 670 | 790 | 23052CM | | 260 | 278 | 382 | 3.0 | 50.70 | | | | | 0.250 | 2.700 | 4.000 |
| 400 | 104 | 4.0 | 9.0 | 16.7 | 1350 | 2410 | 670 | 790 | 23052M | 23052KM | | 278 | 382 | 3.0 | 50.70 | 49.20 | H3052 | AH3052 | HML56T | 0.250 | 2.500 | 3.900 | 2.600 | |
| 400 | 140 | 4.0 | 6.0 | 11.1 | 1915 | 3730 | 700 | 900 | 24052CM | 24052CK30M | | 278 | 382 | 3.0 | 64.50 | 63.00 | | AH24052 | HM54T | 0.350 | 1.900 | 2.900 | 1.900 | |
| 440 | 144 | 4.0 | 9.0 | 16.7 | 2095 | 3030 | 630 | 750 | 23152M | 23152KM | | 278 | 422 | 3.0 | 93.60 | 90.80 | H3152 | AH3152 | HM58T | 0.330 | 2.000 | 2.900 | 1.900 | |
| 440 | 144 | 4.0 | 9.0 | 16.7 | 2240 | 2700 | 670 | 790 | 23152CM | | | 278 | 422 | 3.0 | 93.60 | | | | | 0.330 | 2.000 | 3.100 | 2.000 | |
| 480 | 130 | 5.0 | 12.0 | 22.3 | 1945 | 3033 | 670 | 790 | 22252M | 22252KM | | 282 | 458 | 4.0 | 110.00 | 108.00 | H3152 | AH2252 | HM58T | 0.290 | 2.300 | 3.300 | 2.200 | |
| 480 | 174 | 5.0 | 12.0 | 22.3 | 2707 | 4428 | 600 | 710 | 23252M | 23252KM | | 282 | 458 | 4.0 | 144.00 | 140.00 | H2352 | AH2352 | HM58T | 0.380 | 1.800 | 2.600 | 1.700 | |
| 540 | 165 | 6.0 | 12.0 | 22.3 | 2755 | 4222 | 600 | 710 | 22352M | 22352KM | | 288 | 512 | 5.0 | 196.00 | 192.00 | H2352 | AH2352 | HM58T | 0.340 | 2.000 | 2.900 | 1.900 | |
| 280 | 380 | 75 | 2.1 | 6.0 | 11.1 | 840 | 1900 | 670 | 790 | 23956M | | 280 | 292 | 368 | 2.0 | 26.40 | | | | | 0.180 | 3.800 | 5.700 | 3.700 |
| | 420 | 106 | 4.0 | 9.0 | 16.7 | 1439 | 2694 | 630 | 750 | 23056M | 23056KM | | 298 | 402 | 3.0 | 54.50 | 52.90 | H3056 | AH3056 | HML60T | 0.250 | 2.700 | 3.900 | 2.600 |
| | 420 | 140 | 4.0 | 6.0 | 11.1 | 2080 | 3650 | 700 | 900 | 24056CM | 24056CK30M | | 298 | 402 | 3.0 | 68.50 | 67.50 | | AH24056 | HM58T | 0.330 | 2.000 | 3.000 | 2.000 |
| | 460 | 146 | 5.0 | 9.0 | 16.7 | 2179 | 3904 | 600 | 710 | 23156M | 23156KM | | 302 | 438 | 4.0 | 100.00 | 96.90 | H3156 | AH3156 | HM62T | 0.320 | 2.100 | 3.000 | 2.000 |
| | 500 | 130 | 5.0 | 12.0 | 22.3 | 2012 | 3204 | 630 | 750 | 22256M | 22256KM | | 302 | 478 | 4.0 | 114.00 | 112.00 | H3156 | AH2256 | HM62T | 0.280 | 2.400 | 3.500 | 2.300 |
| | 500 | 176 | 5.0 | 12.0 | 22.3 | 2844 | 4767 | 560 | 670 | 23256M | 23256KM | | 302 | 478 | 4.0 | 154.00 | 150.00 | H2356 | AH2356 | HM62T | 0.360 | 1.900 | 2.600 | 1.800 |
| | 580 | 175 | 6.0 | 12.0 | 22.3 | 3138 | 4886 | 560 | 670 | 22356M | 22356KM | | 308 | 522 | 5.0 | 239.00 | 235.00 | H2356 | AH2356 | HM62T | 0.330 | 2.000 | 2.900 | 1.900 |
| | 580 | 175 | 6.0 | 12.0 | 22.3 | 3300 | 5600 | 600 | 750 | 22356CM | 22356CKM | | 308 | 522 | 5.0 | 227.00 | 223.00 | H2356 | AH2356 | HM62T | 0.310 | 2.000 | 3.200 | 2.100 |
| 300 | 460 | 118 | 4.0 | 9.0 | 16.7 | 1784 | 3239 | 560 | 670 | 23060M | 23060KM | | 318 | 442 | 3.0 | 75.80 | 73.60 | H3060 | AH3060 | HML64T | 0.250 | 2.700 | 3.800 | 2.500 |
| | 500 | 160 | 5.0 | 12.0 | 22.3 | 2561 | 4488 | 530 | 630 | 23160M | 23160KM | | 322 | 478 | 4.0 | 132.00 | 128.00 | H3160 | AH3160 | HM66T | 0.320 | 2.100 | 3.100 | 2.000 |
| | 540 | 140 | 5.0 | 12.0 | 22.3 | 2352 | 3809 | 560 | 670 | 22260M | 22260KM | | 322 | 518 | 4.0 | 145.00 | 142.00 | H3160 | AH2260 | HM66T | 0.270 | 2.500 | 3.600 | 2.400 |
| | 540 | 192 | 5.0 | 12.0 | 22.3 | 3348 | 5569 | 500 | 600 | 23260M | 23260KM | | 322 | 518 | 4.0 | 198.00 | 192.00 | H3260 | AH3260 | HM66T | 0.370 | 1.800 | 2.700 | 1.800 |
| | 480 | 121 | 4.0 | 9.0 | 16.7 | 1890 | 3514 | 530 | 630 | 23064M | 23064KM | | 338 | 462 | 3.0 | 81.20 | 78.80 | H3064 | AH3064 | HML69T | 0.250 | 2.700 | 4.000 | 2.600 |
| 320 | 540 | 176 | 5.0 | 12.0 | 22.3 | 3019 | 5386 | 500 | 600 | 23164M | 23164KM | | 342 | 518 | 4.0 | 171.00 | 166.00 | H3164 | AH3164 | HM70T | 0.330 | 2.000 | 3.000 | 1.900 |
| | 580 | 150 | 5.0 | 12.0 | 22.3 | 2698 | 4426 | 530 | 630 | 22264M | 22264KM | | 342 | 558 | 4.0 | 177.00 | 173.00 | H3164 | AH2264 | HM70T | 0.270 | 2.500 | 3.600 | 2.300 |
| | 580 | 208 | 5.0 | 12.0 | 22.3 | 3876 | 6523 | 450 | 530 | 23264M | 23264KM | | 342 | 558 | 4.0 | 249.00 | 242.00 | H3264 | AH3264 | HM70T | 0.370 | 1.800 | 2.600 | 1.700 |
| | 520 | 133 | 5.0 | 12.0 | 22.3 | 2269 | 4207 | 500 | 600 | 23068M | 23068KM | | 362 | 498 | 4.0 | 109.00 | 106.00 | H3068 | AH3068 | HML73T | 0.250 | 2.700 | 3.900 | 2.550 |
| 340 | 520 | 180 | 5.0 | 9.0 | 16.7 | 3055 | 6135 | 560 | 700 | 24068CM | 24068CK30M | | 362 | 498 | 4.0 | 140.00 | 138.00 | | AH24068 | HM3072 | 0.330 | 2.000 | 3.000 | 2.000 |
| | 580 | 190 | 5.0 | 12.0 | 22.3 | 3448 | 6098 | 450 | 530 | 23168M | 23168KM | | 362 | 558 | 4.0 | 216.00 | 210.00 | H3168 | AH3168 | HM74T | 0.330 | 2.000 | 3.000 | 1.900 |
| | 620 | 224 | 6.0 | 12.0 | 22.3 | 4429 | 7558 | 420 | 500 | 23268M | 23268KM | | 368 | 592 | 5.0 | 310.00 | 300.00 | H3268 | AH3268 | HM74T | 0.370 | 1.800 | 2.600 | 1.700 |

Double Row Spherical Roller Bearings

d = 360 to 850 mm



| Dimensions | | | | | Basic Load Rating | | Limiting Speed for Lubrication with | | Bearing Designation | | Abutment and Fillet Dimensions | | | | Weight | | Corresp. | Corresp. | Corresp. | Factors | | | | |
|------------|------|-----|-----------------------|------|-------------------|----------------|-------------------------------------|--------|---------------------|-----------------------|--------------------------------|-----|-----------------------|-----------------------|-----------------------|---------|----------|----------------|-------------------|----------|-------|----------------|----------------|----------------|
| d | D | B | r _s min | a | b | C _r | C _{or} | Grease | Oil | with Cylindrical Bore | with Tapered Bore | d | d _a min | D _a max | r _a max | ~ | K | Adapter Sleeve | Withdrawal Sleeve | Nut | e | Y ₁ | Y ₂ | Y ₀ |
| mm | | | | | kN | | min ⁻¹ | | | | mm | | | | kg | | | | | | | | | |
| 360 | 540 | 134 | 5.0 | 12.0 | 22.3 | 2362 | 4457 | 450 | 530 | 23072M | 23072KM | 360 | 382 | 518 | 4.0 | 115.00 | 112.00 | H3072 | AH3072 | HML77T | 0.240 | 2.800 | 4.000 | 2.700 |
| | 600 | 192 | 5.0 | 12.0 | 22.3 | 3625 | 6554 | 420 | 500 | 23172M | 23172KM | | 382 | 578 | 4.0 | 228.00 | 221.00 | H3172 | AH3172 | HM80T | 0.320 | 2.000 | 3.000 | 2.000 |
| 380 | 560 | 135 | 5.0 | 12.0 | 22.3 | 2413 | 4702 | 420 | 500 | 23076M | 23076KM | 380 | 402 | 538 | 4.0 | 122.00 | 118.00 | H3076 | AH3076 | HML82T | 0.240 | 2.900 | 4.200 | 2.700 |
| | 620 | 194 | 5.0 | 12.0 | 22.3 | 3734 | 6974 | 400 | 470 | 23176M | 23176KM | | 402 | 598 | 2.0 | 240.00 | 233.00 | H3176 | AH3176 | HM84T | 0.310 | 2.100 | 3.100 | 2.100 |
| 400 | 680 | 240 | 6.0 | 12.0 | 22.3 | 5160 | 8922 | 380 | 480 | 23276M | 23276KM | 400 | 471 | 581 | 5.0 | 375.00 | 370.00 | H3276 | AH3276 | HM84T | 0.370 | 1.800 | 2.700 | 1.800 |
| | 600 | 148 | 5.0 | 12.0 | 22.3 | 2863 | 5494 | 400 | 470 | 23080M | 23080KM | | 422 | 578 | 5.0 | 155.00 | 150.00 | H3080 | AH3080 | HML86T | 0.240 | 2.800 | 4.000 | 2.700 |
| | 600 | 200 | 5.0 | 12.0 | 22.3 | 3735 | 7790 | 450 | 560 | 24080CM | | | 422 | 578 | 5.0 | 205.00 | | | | | 0.30 | 2.900 | 3.400 | 2.200 |
| | 650 | 200 | 6.0 | 12.0 | 22.3 | 4041 | 7579 | 380 | 450 | 23180M | 23180KM | | 428 | 622 | 5.0 | 273.00 | 265.00 | H3180 | AH3180 | HM88T | 0.310 | 2.200 | 3.100 | 2.100 |
| 420 | 720 | 256 | 6.0 | 12.0 | 22.3 | 5801 | 10120 | 350 | 420 | 23280M | 23280KM | 420 | 428 | 692 | 5.0 | 464.00 | 450.00 | H3280 | AH3280 | HM88T | 0.370 | 1.800 | 2.700 | 1.750 |
| | 620 | 150 | 5.0 | 12.0 | 22.3 | 2949 | 5853 | 380 | 450 | 23084M | 23084KM | | 442 | 598 | 4.0 | 164.00 | 159.00 | H3084 | AH3084 | HML90T | 0.240 | 2.900 | 4.300 | 2.800 |
| | 700 | 224 | 6.0 | 12.0 | 22.3 | 4940 | 9217 | 350 | 420 | 23184M | 23184KM | | 448 | 672 | 5.0 | 361.00 | 350.00 | H3184 | AH3184 | HM92T | 0.320 | 2.100 | 3.000 | 2.000 |
| 440 | 650 | 157 | 6.0 | 12.0 | 22.3 | 3210 | 6411 | 350 | 420 | 23088M | 23088KM | 440 | 468 | 622 | 5.0 | 188.00 | 182.00 | H3088 | AH3088X | HML94T | 0.240 | 2.900 | 4.100 | 2.700 |
| | 720 | 226 | 6.0 | 12.0 | 22.3 | 5300 | 8380 | 330 | 400 | 23188M | 23188KM | | 468 | 692 | 5.0 | 378.00 | 366.00 | H3188 | AH3188X | HM96T | 0.310 | 2.100 | 3.100 | 2.000 |
| | 790 | 280 | 7.5 | 12.0 | 22.3 | 6815 | 12030 | 320 | 380 | 23288M | 23288KM | | 476 | 754 | 6.0 | 610.00 | 592.00 | H3288 | AH3288X | HM96T | 0.370 | 1.800 | 2.700 | 1.800 |
| 460 | 680 | 163 | 6.0 | 12.0 | 22.3 | 3483 | 6997 | 330 | 400 | 23092M | 23092KM | 460 | 488 | 652 | 5.0 | 216.00 | 210.00 | H3092 | AH3092X | HML98T | 0.230 | 2.900 | 4.200 | 2.800 |
| | 760 | 240 | 7.5 | 12.0 | 22.3 | 5717 | 10950 | 320 | 380 | 23192M | 23192KM | | 496 | 724 | 6.0 | 447.00 | 433.00 | H3192 | AH3192X | HM102T | 0.320 | 2.100 | 3.000 | 2.000 |
| 480 | 650 | 128 | 5.0 | 12.0 | 22.3 | 2900 | 6430 | 500 | 630 | 23996CCM | | 480 | 502 | 628 | 4.0 | 130 | | | | | 0.170 | 3.900 | 5.800 | 3.800 |
| | 790 | 248 | 7.5 | 12.0 | 22.3 | 6118 | 11770 | 300 | 350 | 23196M | 23196KM | | 516 | 754 | 6.0 | 503.00 | 488.00 | H3196 | AH3196X | HM106 | 0.310 | 2.200 | 3.100 | 2.100 |
| 500 | 670 | 128 | 5.0 | 12.0 | 22.3 | 2930 | 6680 | 470 | 600 | 239500CCM | | 500 | 522 | 648 | 4.0 | 133 | | | | | 0.170 | 4.000 | 3.900 | 3.900 |
| | 720 | 167 | 6.0 | 12.0 | 22.3 | 3754 | 7779 | 300 | 350 | 230500M | 230500KM | | 528 | 692 | 5.0 | 235.00 | 228.00 | H30500 | AH30500X | HML108T | 0.230 | 3.000 | 4.300 | 2.900 |
| | 830 | 264 | 7.5 | 12.0 | 22.3 | 6741 | 12893 | 280 | 330 | 231500M | 231500KM | | 536 | 794 | 6.0 | 595.00 | 577.00 | H31500 | AH31500X | HL110T | 0.320 | 2.100 | 3.000 | 2.000 |
| 530 | 780 | 185 | 6.0 | 12.0 | 22.3 | 4436 | 9236 | 280 | 330 | 230530M | 230530KM | 530 | 558 | 752 | 5.0 | 303.00 | 294.00 | H30530 | AH30530 | HML112T | 0.230 | 3.000 | 4.200 | 2.800 |
| 560 | 820 | 195 | 6.0 | 12.0 | 22.3 | 5000 | 10437 | 280 | 330 | 230560M | 230560KM | 560 | 588 | 792 | 5.0 | 383.00 | 372.00 | H30560 | AH30560 | HML118T | 0.230 | 3.000 | 4.200 | 2.800 |
| 600 | 870 | 200 | 6.0 | 12.0 | 22.3 | 5500 | 12900 | 260 | 300 | 230600CM | | 600 | 633 | 838 | 5.0 | 405 | | | | 0.220 | 2.900 | 4.200 | 2.800 | |
| 630 | 920 | 212 | 7.5 | 12.0 | 22.3 | 6273 | 13361 | 240 | 300 | 230630M | 230630KM | 630 | 666 | 884 | 6.0 | 495.00 | 481.00 | H30630 | AH30630 | HM30/630 | 0.220 | 3.000 | 4.500 | 2.900 |
| 800 | 1150 | 258 | 7.5 | 12.0 | 22.3 | 8617 | 19648 | 180 | 220 | 230800M | 230800KM | 800 | 836 | 1114 | 6.0 | 939.00 | 911.00 | H30800 | AH30800 | HM30/800 | 0.220 | 3.100 | 4.500 | 3.000 |
| 850 | 1220 | 272 | 7.5 | 12.0 | 22.3 | 9608 | 22080 | 160 | 200 | 230850M | 230850KM | 850 | 886 | 1184 | 6.0 | 1110.00 | 1080.00 | | | | 0.220 | 3.100 | 4.500 | 3.000 |