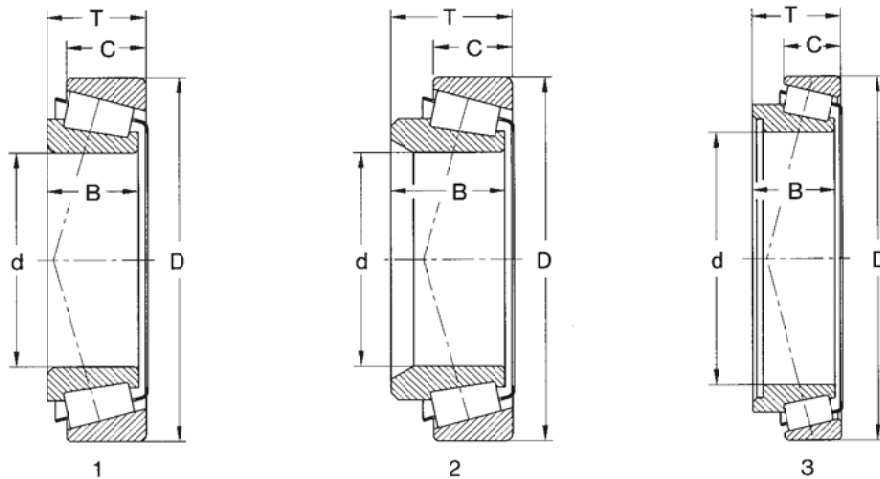
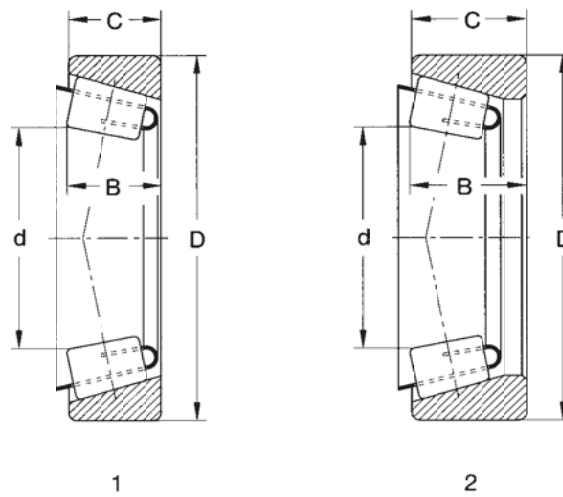


Single Row Tapered Roller Bearings



Dimensions					Basic Load Rating		Limiting Speed for Lubrication with		Bearing Designation	Weight	Fig.
d	D	B	C	T	C _d	C _{or}	Grease	Oil			
mm					kN		min ⁻¹		kg		
21	62	17	13	18,25	36,2	39,1	6 700	8 900	PLC 64-2-3	0,290	1
26	57,150	17,462	14	17,462	35,5	42,2	6 700	8 900	PLC 64-11	0,216	1
30	62	16	14	17,25	40,6	44,7	6 700	8 900	PLC 64-4-2	0,249	1
32	72	28,75	15	30	46,5	51,2	5 500	7 150	PLC 65-201	0,720	2
34,925	73,025	24,608	19,050	23,813	57,3	76,4	5 300	6 700	PLC 65-3	0,495	1
36	90	33	27	35,25	104	144	4 200	5 600	PLC 66-8-2	1,160	1
38	63	17	13,5	17	42,2	55,2	6 700	8 900	PLC 64-7	0,209	1
40	90	40,5	27	42,75	114	141	4 200	5 600	PLC 66-10-2	1,240	1
60	130	46	37	48,5	228	299	2 800	3 800	PLC 68-203	2,800	1
	130	46	37	48,5	237	276	3 000	4 000	PLC 68-21	3,020	1
65	152	45,5	35	48	204	305	2 100	3 100	PLC 68-209	4,680	1
70	110	21,5	17,5	25,3	70,8	96,2	4 000	5 300	PLC 67-6	0,782	1
	140	48	39	51	261	331	2 750	3 750	PLC 68-200	3,550	1
	150	61	42	64	302	405	2 800	3 800	PLC 68-22	4,470	3
	155	35	25	38	178	211	2 650	3 450	PLC 68-201	3,300	1
80	125	29	22	29	148	234	3 300	4 500	PLC 68-207	1,320	1
	165	57	43	57	340	520	2 000	3 000	PLC 69-205	5,920	1
90	140	32	24	32	170	269	3 000	4 000	PLC 68-18	1,780	1
100	157	42	34	42	261	427	2 100	3 100	PLC 68-208	2,950	1
	160	40	32	41	259	435	1 900	2 800	K-JHM720249/720210	3,100	1
105	190	50	43	53	393	570	1 800	2 600	PLC 69-23	6,250	1
110	180	46	38	47	345	586	1 800	2 600	K-JHM522649/522610	4,700	1
114,3	177,8	41,275	30,162	41,275	229	377	1 700	2 500	K-64450/K-64700	3,630	1
158,750	205,583	23,812	18,258	23,812	136	280	1 500	2 000	K-JKL432348/432310	1,950	1
160	375,05	79,37	60,3	87,3	805	1014	950	1 400	PLC 611-6	41,200	1
203,2	360,05	88,09	63,5	92,1	863	1364	900	1 300	PLC 611-3	34,500	1
231,775	317,5	52,388	36,512	47,625	508	952	900	1 300	K-LM245848/245810	11,100	1
240	320	55	47,5	62,5	408	814	900	1 300	PLC 611-9	12,100	1
406,4	574,675	67,9	50,8	76,2	848	1765	470	630	PLC 612-27	53,800	1
430,213	603,25	73	50,8	76,2	852	1813	450	600	PLC 612-26	58,900	1

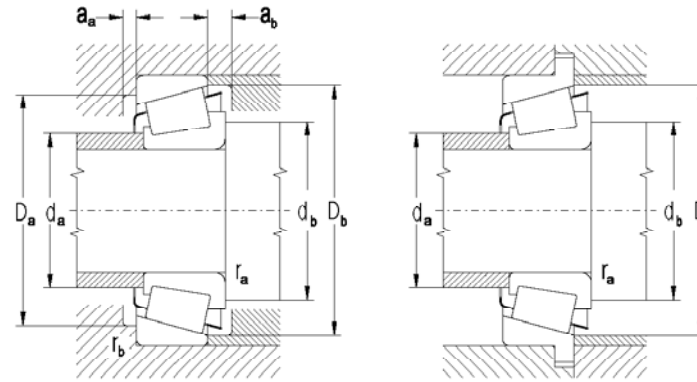
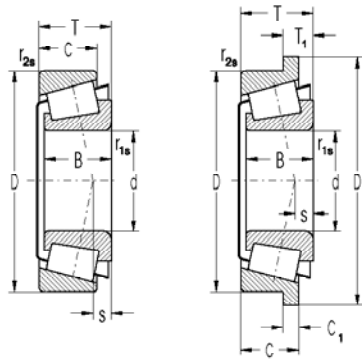
Single Row Tapered Roller Bearings without Inner Ring



Dimensions				Basic Load Rating		Limiting Speed		Bearing Designation	Weight	Fig.
d	D	B	C	Dynamic C_r	Static C_{or}	for Grease	with Oil			
mm				kN				kg		
33,279	49,2	12,846	11,5	14,7	17,1	6 300	8 400	PLC 63-1	0,083	1
	57	18,507	17,27	14,7	17,1	6 300	8 400	PLC 64-3	0,219	2
39,76	62	14,8	17	25,6	29,3	6 000	7 900	190921	0,195	1

Single Row Tapered Roller Bearings in Inch Dimensions

d = 15.875 to 38.100 mm



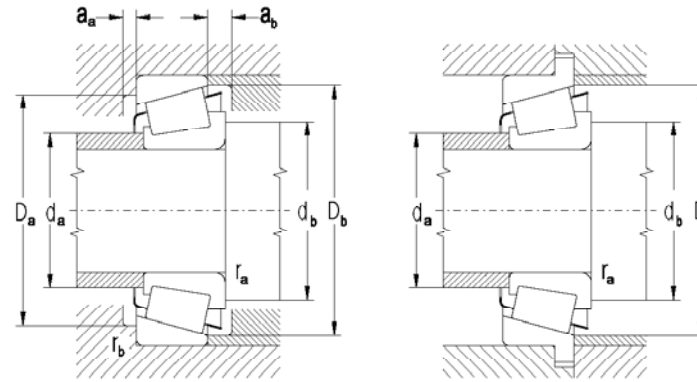
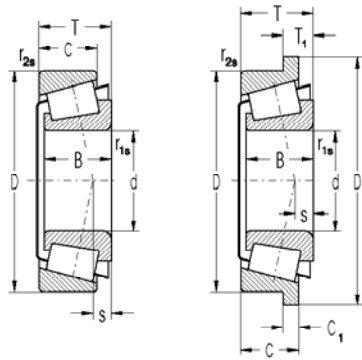
Dimensions											Basic Load Rating		Limiting Speed		Bearing Designation Cone Cup	Abutment and Fillet Dimensions								Weight	Dimension Deviations				Factors					
d	D	D ₁	B	C	C ₁	T	T ₁	r _{1a} min	r _{2a} min	s	C _r	C _{or}	Grease	Oil		d ₀ max	d _b min	D ₀ min	D ₀ max	D ₀ min	a ₀ min	a _b min	r _a max		r _b max	~	Δdmp max	Δdmp min	ΔDmp max	ΔDmp min	ΔTs max	ΔTs min	e	Y
mm											kN		min ⁻¹			mm								kg	μm									
15.875	42.863	14.288	9.525	14.288	14.288	1.5	1.5	1.3	17.3	18.6	9500	14000	K-11590/ K-11520	22.5	24.5	34.5	35	39.5	2	4.5	1.5	1.5	0.063	+13	0	+25	0	+200	0	0.700	0.900	0.500		
16.000	47.000	21.000	16.000	21.000	21.000	1.00	2.00	6.00	36.9	40.6	8400	11000	K-HM81649/ K-HM81610	23	22	36	39	43	2	4	1	1.5	0.199	0	-13	0	-25	+200	0	0.550	1.100	0.600		
17.462	39.878	14.605	10.670	13.843	13.843	1.30	1.30	4.80	21.1	21.5	10000	13000	K-LM11749/ K-HM11710	23	24	33.5	35	37	2	3	1	1	0.186	+13	0	+15	0	+200	0	0.290	2.100	1.200		
19.050	45.237	16.637	12.065	15.494	15.494	1.30	1.30	5.60	25.6	26.6	8900	12000	K-LM11949/ K-LM11910	25	25.5	38	38.5	41	3	3	1	1	0.121	+20	0	+25	0	+356	0	0.300	2.000	1.100		
21.986	45.237	16.637	12.065	15.494	15.494	1.20	1.20	5.30	28.7	29.9	8400	11000	K-LM12749/ K-LM12710	26	27.5	38	38.5	42.5	3	3	1.2	1.2	0.119	+13	0	0	+15	+200	0	0.310	1.960	1.000		
22.000	45.000	51.5	16.637	12.065	3.000	15.494	6.429	1.20	1.20	5.40	28.7	29.9	8400	11000	K-LM12749/ K-LM12712B	26	27.5	-	-	46	1.2	3.5	1.3	-	0.129	-13	0	0	-15	+200	0	0.310	1.960	1.100
25.400	50.292	14.732	10.668	14.224	14.224	1.30	1.30	3.30	24.6	28.7	7500	10000	K-L44643/ K-L44610	33	32	43.5	43.5	47	2	3.5	1	1	0.128	+13	0	+25	0	+200	0	0.370	1.600	0.900		
*	50.292	14.732	10.668	14.224	14.224	1.30	1.30	3.30	24.6	28.7	7500	10000	K-L44043/ K-L44610/ K-L44600LA	33	32	43.5	43.5	-	2	-	1	1	0.130	+13	0	+25	0	+200	0	0.370	1.600	0.900		
	59.930	23.114	18.288	23.368	23.368	0.80	1.57	5.10	44.7	66.8	5600	7500	K-M84249/ K-M84210	33	32	46	53	56	3	4.5	0.6	1	0.327	+13	0	+25	0	+200	0	0.550	1.100	0.600		
26.988	50.292	14.732	10.668	14.224	14.224	3.56	1.30	3.30	24.6	28.7	7500	10000	K-L44649/ K-L44610	33	38	43.5	45	47	3	3.5	3	1	0.120	+20	0	+25	0	+356	0	0.370	1.600	0.900		
29.000	50.292	14.732	10.668	14.224	14.224	3.60	1.20	3.20	25.6	33.5	7100	9400	K-L45449/ K-L45410	34	40	43.5	45	47	3	3.5	3	1	0.113	+13	0	+15	0	+200	0	0.370	1.600	0.900		
30.000	62.000	68.5	18.100	15.536	3.556	17.250	5.270	1.00	1.50	3.30	44.7	44.7	6700	8900	K-JXC25640CB/ K-JXC25640D	34.5	37	-	-	59	1.15	1.7	1.5	-	0.269	0	-12	+20	0	+200	0	0.370	1.600	0.900
30.162	64.292	21.433	16.670	21.433	21.433	1.57	1.57	3.30	44.7	59.6	5600	7500	K-M86649/ K-M86610	38	38	51	56.5	60	3	4.5	1	1	0.341	+13	0	+25	0	+200	0	0.550	1.100	0.600		
31.750	59.131	16.764	11.811	15.875	15.875	4.75	1.30	2.90	31.6	38.3	6700	8900	K-LM67048/ K-LM67010	38	44.5	51	52	55	3	4	3	1	0.180	+13	0	+25	0	+356	0	0.410	1.500	0.800		
	62.000	19.050	14.288	18.161	18.161	4.75	1.30	5.20	47.3	58.4	6300	8400	K-15123/ K-15245	38	43.5	54	55	58	4	3.5	3	1	0.248	+13	0	+25	0	+203	0	0.350	1.700	0.900		
34.925	65.088	18.288	13.970	18.034	18.034	4.75	1.30	3.70	43.0	53.1	5600	7500	K-LM48548/ K-LM48510	42	47	57	58	61	3	4	3	1	0.244	+20	0	+25	0	+356	0	0.380	1.600	0.900		
	73.025	24.608	19.050	23.813	23.813	3.56	2.36	6.60	57.3	76.4	5300	6700	PLC65-3	43	45	62	64	68	3	3	5	2	0.495	+13	0	+25	0	+200	0	0.370	1.600	0.900		
35.000	60.000	16.764	11.938	15.875	15.875	4.75	1.30	2.50	31.6	42.2	6300	8400	K-L68149/ K-L68111	40	46	52	54	56	3	3.5	3	1	0.176	0	-20	0	-25	+356	0	0.420	1.400	0.800		
38.000	63.000	17.000	13.500	17.000	17.000	1.50	1.50	2.30	42.2	55.2	6700	8900	K-JL69349/ K-JL69310	41	49	56.5	57	60	1.5	3.5	1.5	1.5	0.204	+13	0	+25	0	+200	0	0.420	1.440	0.790		
38.100	65.088	18.288	13.970	18.034	18.034	2.30	1.10	5.00	49.2	60.7	5600	7500	K-LM29749/ K-LM29710	42.5	46	58	60	62	4	4	2.3	1.3	0.240	+13	0	+25	0	+200	0	0.330	1.800	1.000		

Bearing K-LM67048/K-LM67010 has also designation PLC 64-8

*Bearing with Seals

Single Row Tapered Roller Bearings in Inch Dimensions

d = 39.688 to 146.05 mm



Dimensions											Basic Load Rating		Limiting Speed		Bearing Designation	Abutment and Fillet Dimensions								Weight	Dimension Deviations			Factors						
d	D	D ₁	B	C	C ₁	T	T ₁	r _{1a} min	r _{2a} min	s	C _r	C _{or}	Grease	Oil		d _a max	d _b min	D _a min	D _a max	D _b min	a _a min	a _b min	r _a max		r _b max	~	Δdmp max	Δdmp min	ΔDmp max	ΔDmp min	ΔTs max	ΔTs min	e	Y
mm											kN		min ⁻¹			mm								kg	μm									
39.688	80.167	30.391	23.813			29.370		0.80	3.20	11.10	81.0	104.0	4200	5600	K-3386/ K-3320	48	47	68	70	75	3	4	0.6	3	0.704	+13	0	+25	0	+200	0	0.270	2.200	1.200
40.000	80.000	22.403	17.826			21.000		0.80	1.30	6.00	70.8	73.6	4700	6300	K-344A/ K-322	48	47	68	73	75	3	4	0.6	1	0.514	+13	0	+25	0	+203	0	0.270	2.200	1.200
40.100	67.975	18.000	13.500			17.500		3.60	1.50	3.60	47.3	59.6	5300	7100	K-LM300849/ K-LM300811	45	52	58	61	63	4	4	0.6	1.5	0.230	+13	0	+25	0	+200	0	0.350	1.700	1.000
44.450	83.058	25.400	10.050			23.813		3.56	3.2	6.10	59.6	87.4	4200	5600	K-25580/ K-25521	63	56.6	71	74	73	5	4.5	3	3	0.641	+13	0	+26	0	+200	0	0.330	1.800	1.000
45.242	77.788	19.842	15.8			19.842		1.0	1.0	2.3	59.6	77.9	4900	6500	LM603049/ LM603011	50	57	71	72	74	4.5	5.5	1	1	0.378	+13	0	+25	0	+100	0	0.430	1.410	0.770
50.000	82.000	21.500	17.0			21.500		3.0	0.5	5.3	75.2	104.0	4500	6000	K-JLM104948/ K-JLM104910	55	60	76	77	78	4	4.5	3	0.5	0.410	-12	0	-18	0	+100	0	0.310	1.0970	1.090
50.800	101.600	36.068	29.988			34.925		0.80	3.2	12.70	123.0	162.0	3200	4200	K-529/ K-522	61	63.5	87	89.5	94	6	7.5	0.6	3	1.220	+13	0	+25	0	+200	0	0.280	2.100	1.200
57.15	127.000	44.450	34.925			44.450		3.5	3.3	9.4	228.0	276.0	3000	4000	K-65225/ K-65500	71	80	104	107	119	10	10	3.5	3.3	2.790	+13	0	+25	0	+200	0	0.490	1.200	0.700
65.000	110.000	28.000	22.500			28.000		3.00	2.5	4.00	133.0	188.0	3300	4500	K-JM511946/ K-JM511910	71	77	93	96	101	9.5	9.5	3	2.5	1.050	-15	0	-15	0	+200	0	0.390	1.500	0.900
68.900	152.400	39.688	30.162			39.688		6.40	3.3	35.0	230.0	344.0	2000	3000	K-HM518445/ K-HM518410	98	112	124	135	142	6	10	3.5		2.880	+25	0	+25	0	+200	0	0.440	1.360	0.740
89.974	146.975	40.000	32.500			40.000		7.00	3.5	31.0	243.0	365.0	2400	3300	K-HM218248/ K-HM218210	99	112	128	133	141	6	7.5	3.5		2.590	+25	0	+25	0	+200	0	0.330	1.800	0.990
90.000	145.000	34.000	27.000			35.000		6.00	2.5	33.0	213.0	315.0	2200	3200	K-JM718149/ K-JM718110	99	111	126	131	140	6	8	2.5		2.150	+25	0	+25	0	+200	0	0.440	1.350	0.740
146.05	193.675	28.575	23.020			28.575		5.8	1.5	34.0	181.0	390.0	1700	2200	K-36691/ K-36620	155	162	176	182	187	6	6.5	1.5		2.310	+25	0	+25	0	+356-254	0	0.37	1.6	0.9