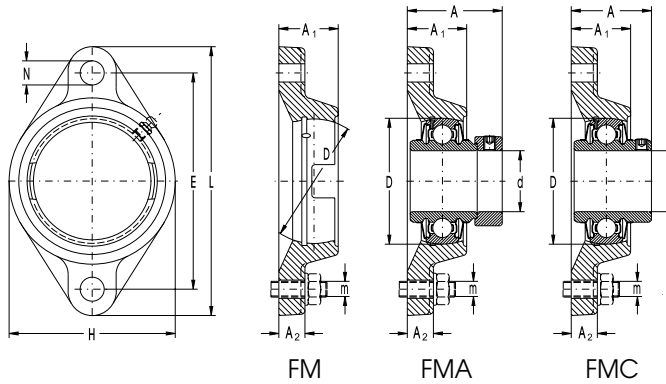


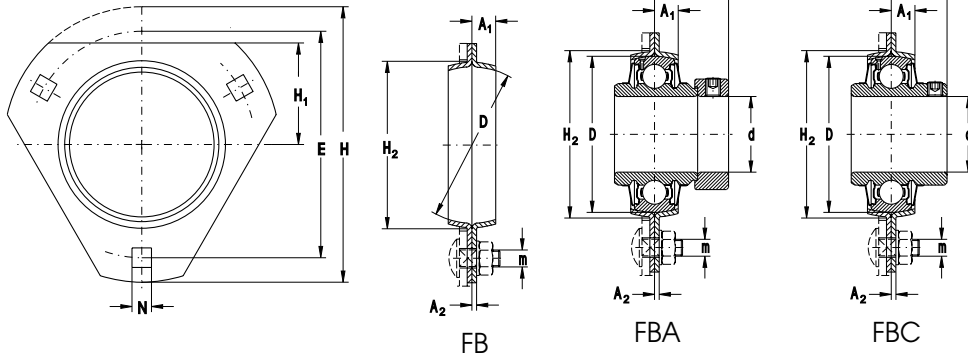
Oval Flanged Units with Insert Ball Bearing

d = 25 to 40 mm



Dimensions										Basic Load Rating		Weight	Designation of		
d	D	L	H	E	A	A ₁	A ₂	N	m	C _r	C _{or}		Unit	Housing	Bearing
mm										kN		kg			
25	52	123	70	99.0	45.9	29.5	13	12	M10	14.0	7.9	0.64	FMA205	FM205	UA205
	52	123	70	99.0	38.8	29.5	13	12	M10	14.0	7.9	0.58	FMC205	FM205	UC205
30	62	142	83	116.5	50.1	31.0	13	12	M10	19.4	11.2	1.08	FMA206	FM206	UA206
	62	142	83	116.5	42.2	31.0	13	12	M10	19.4	11.2	1.00	FMC206	FM206	UC206
35	72	156	92	130.0	53.3	33.5	14	14	M12	25.6	15.2	1.45	FMA207	FM207	UA207
	72	156	92	130.0	46.4	33.5	14	14	M12	25.6	15.2	1.31	FMC207	FM207	UC207
40	80	172	102	143.8	58.9	37.0	14	15	M12	32.6	19.8	1.75	FMA208	FM208	UA208
	80	172	102	143.8	54.2	37.0	14	15	M12	32.6	19.8	1.60	FMC208	FM208	UC208
When using bearings - type UE into housings FM designation of unit is FME															
When using bearings - type UD into housings FM designation of unit is FMD															
When using bearings - type US into housings FM designation of unit is FMS															

Triangle Pressed Flanged Units with Insert Ball Bearing
d = 25 to 35 mm

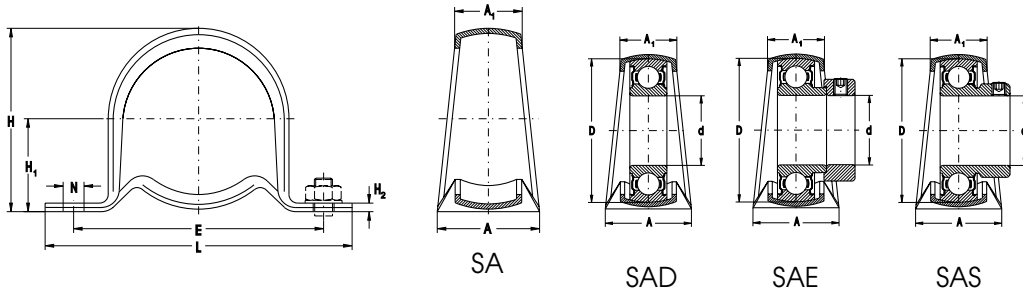


Dimensions											Basic Load Rating		Weight	Designation of		
d	D	H	E	H ₁	H ₂	A	A ₁	A ₂	N	m	C _r	C _{0r}		Unit	Housing	Bearing
mm											kN		kg			
25	52	99.5	76.0	34.5	60	26.9	9.0	2.0	8.8	M8	14.0	7.9	0.36	FBA205	FB205	UA205
	52	99.5	76.0	34.5	60	19.8	9.0	2.0	8.8	M8	14.0	7.9	0.30	FBC205	FB205	UC205
30	62	112.5	90.5	38.5	71	30.1	9.5	2.5	10.5	M10	19.4	11.2	0.58	FBA206	FB206	UA206
	62	112.5	90.5	38.5	71	22.2	9.5	2.5	10.5	M10	19.4	11.2	0.50	FBC206	FB206	UC206
35	72	122.0	100.0	45.0	81	32.3	10.0	2.5	10.5	M10	25.6	15.2	0.81	FBA207	FB207	UA207
	72	122.0	100.0	45.0	81	24.1	10.0	2.5	10.5	M10	25.6	15.2	0.67	FBC207	FB207	UC207

When using bearings - type **UE** into housings **FB** designation of unit is **FBE**
 When using bearings - type **UD** into housings **FB** designation of unit is **FBD**
 When using bearings - type **US** into housings **FB** designation of unit is **FBS**

Sheet Pillow Block Units with Insert Ball Bearing

$d = 25$ to 35 mm



Dimensions											Basic Load Rating		Weight	Designation of Housing Housing with bearing
d	D	A	A ₁	E	L	H	H ₁	H ₂	N	C _r	C _{or}			
mm											kN		kg	
25	52	32	21.5	86	108	56.6	28.6	4	11.2	14	7.9	0.13	SA205 SAD205 SAE205 SAS205	
30	62	38	23.8	95	119	66.3	33.3	4	11.2	19.4	11.2	0.18	SA206 SAD206 SAE206 SAS206	
35	72	42	27	106	130	78.2	39.7	5	11.2	25.6	15.2	0.23	SA207 SAD207 SAE207 SAS207	

In units **SAD UD** bearings are used
 In units **SAE UE** bearings are used
 In units **SAS US** bearings are used