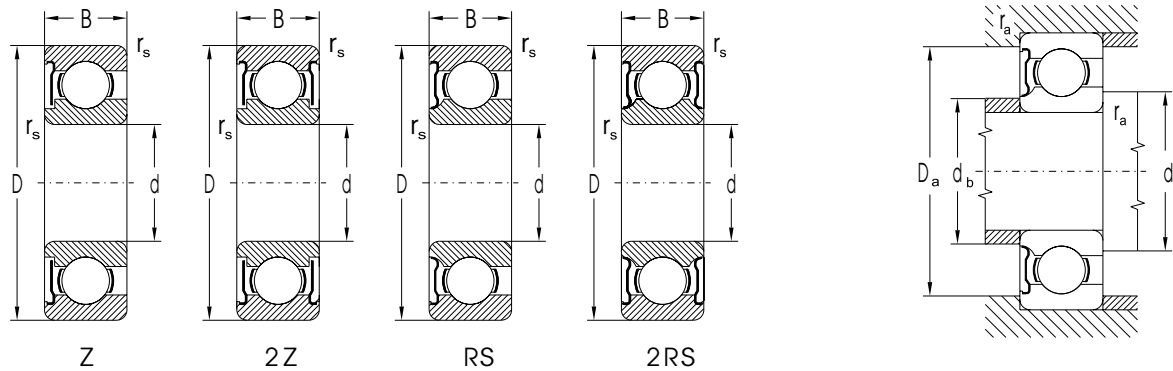


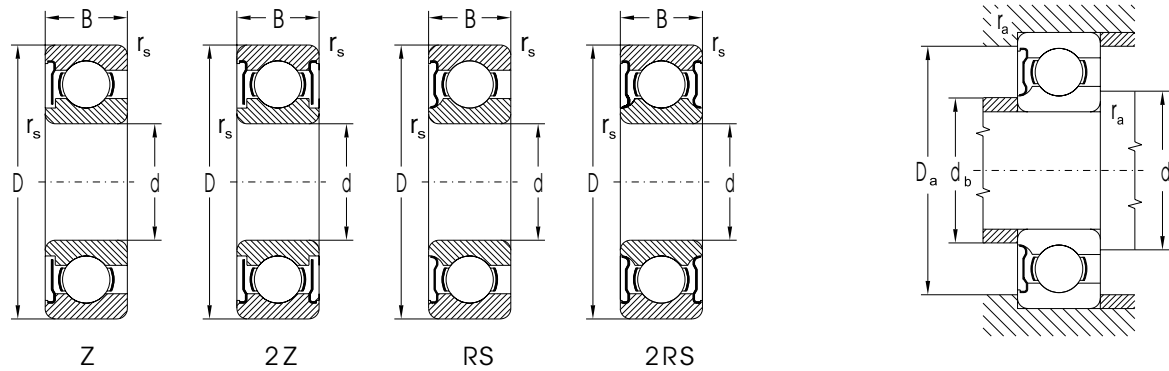
Single Row Deep Groove Ball Bearings with Seals or Shields

d = 3 to 25 mm



Dimensions				Basic Load Rating		Bearing Designation				Limiting Speed for Lubrication with			Abutment and Fillet Dimensions					Weight
d	D	B	r _s min	C _r	C _{0r}	Z, ZR	2Z, 2ZR	RS, RSR	2RS, 2RSR	Z, 2Z	RS, 2RS	Z	d min	d _a max	d _b max	D _a max	r _a	~
mm										min ⁻¹			mm					kg
3	10	4.0	0.15	0.645	0.229	623ZR	623-2ZR			40000	50000		3	4.2	4.8	8.5	0.1	0.0020
4	13	5.0	0.2	1.168	0.412	624ZR	624-2ZR			38000	45000		4	5.5	5.8	11.2	0.2	0.0040
	16	5.0	0.3	1.875	0.677	634ZR	634-2ZR			35000	42000			6.2	6.5	13.4	0.3	0.0050
5	16	5.0	0.3	1.875	0.677	625ZR	625-2ZR			35000	42000		5	7.0	7.0	14.0	0.3	0.0060
	19	6.0	0.3	2.838	1.078	635ZR	635-2ZR			35000	42000			7.2	7.5	15.8	0.3	0.0090
6	19	6.0	0.3	2.838	1.078	626ZR	626-2ZR			35000	42000		6	8.2	8.3	17.0	0.3	0.0100
7	19	6.0	0.3	2.838	1.078	607ZR	607-2ZR			35000	42000		7	9.0	9.0	17.0	0.3	0.0100
	22	7.0	0.3	3.282	1.356	627ZR	627-2ZR			35000	42000			9.2	9.8	19.5	0.3	0.0120
8	22	7.0	0.3	3.282	1.356	608ZR	608-2ZR	608RSR	608-2RSR	35000	24000	42000	8	10.0	10.0	20.0	0.3	0.0150
9	24	7.0	0.3	3.668	1.640	609ZR	609-2ZR	609RSR	609-2RSR	35000	24000	42000	9	11.0	12.0	22.0	0.3	0.0180
	26	8.0	0.3	4.557	1.955	629ZR	629-2ZR	629RSR	629-2RSR	35000	24000	42000		12.0	12.5	22.5	0.3	0.0200
10	26	8.0	0.3	4.557	1.955	6000ZR	6000-2ZR	6000RSR	6000-2RSR	28000	19000	33000	10	12.0	12.5	24.0	0.3	0.0200
	30	9.0	0.6	6.047	2.510	6200ZR	6200-2ZR	6200RSR	6200-2RSR	25000	17000	30000		14.0	14.4	26.0	0.6	0.0320
	30	14.0	0.6	6.047	2.510	62200ZR	62200-2ZR	62200RSR	62200-2RSR	25000	17000	30000		14.0	14.4	26.0	0.6	0.0400
	35	11.0	0.6	8.072	3.430	6300ZR	6300-2ZR	6300RS	6300-2RS	22000	15000	27000		14.0	15.0	31.0	0.6	0.0530
12	28	8.0	0.3	5.094	2.360	6001ZR	6001-2ZR	6001RSR	6001-2RSR	25000	17000	30000	12	14.0	14.5	26.0	0.3	0.0220
	32	10.0	0.6	6.905	3.100	6201ZR	6201-2ZR	6201RSR	6201-2RSR	22000	15000	27000		16.0	16.5	28.0	0.6	0.0370
	32	14.0	0.6	6.905	3.100	62201ZR	62201-2ZR	62201RS	62201-2RS	22000	15000	27000		16.0	16.5	28.0	0.6	0.0450
	37	12.0	1.0	9.759	4.235	6301ZR	6301-2ZR	6301RS	6301-2RS	20000	13000	24000		17.0	17.0	32.0	1.0	0.0600
15	32	9.0	0.3	5.594	2.860	6002ZR	6002-2ZR	6002RS	6002-2RS	21000	14000	25000	15	17.0	18.0	30.0	0.3	0.0310
	35	11.0	0.6	7.718	3.745	6202Z	6202-2Z	6202RS	6202-2RS	20000	13000	24000		19.0	19.5	31.0	0.6	0.0450
	35	14.0	0.6	7.718	3.745	62202ZR	62202-2ZR	62202RS	62202-2RS	20000	13000	24000		19.0	19.5	31.0	0.6	0.0540
	42	13.0	1.0	11.310	5.335	6302ZR	6302-2ZR	6302RS	6302-2RS	18000	12000	21000		20.0	20.5	36.0	1.0	0.0820
17	35	10.0	0.3	5.999	3.265	6003ZR	6003-2ZR	6003RS	6003-2RS	20000	13000	24000	17	19.0	20.0	33.0	0.3	0.0400
	40	12.0	0.6	9.534	4.734	6203Z	6203-2Z	6203RS	6203-2RS	18000	12000	21000		21.0	21.4	36.0	0.6	0.0650
	40	16.0	0.6	9.534	4.734	62203Z	62203-2Z	62203RS	62203-2RS	18000	12000	21000		21.0	21.4	36.0	0.6	0.0830
	47	14.0	1.0	13.565	6.563	6303ZR	6303-2ZR	6303RS	6303-2RS	16000	10600	19000		23.0	23.0	41.0	1.0	0.1160
20	42	12.0	0.6	9.371	4.972	6004ZR	6004-2ZR	6004RS	6004-2RS	17000	11000	20000	20	24.0	24.5	38.0	0.3	0.0700
	47	14.0	1.0	12.774	6.553	6204Z	6204-2Z	6204RS	6204-2RS	15000	10000	18000		25.0	25.5	42.0	0.6	0.1070
	47	18.0	1.0	12.774	6.553	62204Z	62204-2Z	62204RS	62204-2RS	15000	10000	18000		25.0	25.5	42.0	0.6	0.1300
	47	20.6	1.0	12.774	6.553	63204Z	63204-2Z	63204RS	63204-2RS	15000	10000	18000		25.0	25.5	42.0	0.6	0.1540
	52	15.0	1.1	15.866	7.811	6304Z	6304-2Z	6304RS	6304-2RS	14000	9400	17000		26.0	26.6	45.0	1.0	0.1440
	52	21.0	1.1	15.866	7.811	62304Z	62304-2Z	62304RS	62304-2RS	14000	9400	17000		26.0	26.6	45.0	1.0	0.2000
25	47	12.0	0.6	10.070	5.806	6005ZR	6005-2ZR	6005RS	6005-2RS	14000	9400	17000	25	28.0	29.0	43.0	0.6	0.0810
	52	15.0	1.0	14.029	7.940	6205Z	6205-2Z	6205RS	6205-2RS	12600	8400	15000		30.0	30.5	47.0	1.0	0.1280
	52	18.0	1.0	14.029	7.940	62205Z	62205-2Z	62205RS	62205-2RS	12600	8400	15000		30.0	30.5	47.0	1.0	0.1500
	62	17.0	1.1	21.123	10.806	6305Z	6305-2Z	6305RS	6305-2RS	11000	7500	13000		31.0	33.0	55.0	1.0	0.2320
	62	24.0	1.1	21.123	10.806	62305Z	62305-2Z	62305RS	62305-2RS	11000	7500	13000		31.0	33.0	55.0	1.0	0.3200

Single Row Deep Groove Ball Bearings with Seals or Shields
d = 30 to 100 mm



Dimensions				Basic Load Rating		Bearing Designation				Limiting Speed for Lubrication with			Abutment and Fillet Dimensions					Weight
d	D	B	r _s min	C _r	Static C _{0r}	Z, ZR	2Z, 2ZR	RS, RSR	2RS, 2RSR	Grease Z, 2Z	Oil RS, 2RS Z	d min	d _a max	d _b max	D _a max	r _a	~	
mm				kN						min ⁻¹			mm					kg
30	55	13.0	1.0	13.243	8.253	6006Z	6006-2Z	6006RS	6006-2RS	12000	7900	14000	30	34.0	35.0	50.0	1.0	0.1190
	62	16.0	1.0	19.443	11.186	6206Z	6206-2Z	6206RS	6206-2RS	11000	7500	13000		35.0	36.7	57.0	1.0	0.2010
	62	20.0	1.0	19.443	11.186	62206Z	62206-2Z	62206RS	62206-2RS	11000	7500	13000		35.0	36.7	57.0	1.0	0.2400
	72	19.0	1.1	29.701	15.678	6306Z	6306-2Z	6306RS	6306-2RS	10000	6700	12000		36.0	38.9	65.0	1.0	0.3500
35	62	14.0	1.0	15.956	10.328	6007Z	6007-2Z	6007RS	6007-2RS	10600	7100	12600	35	39.5	39.5	57.0	1.0	0.1590
	72	17.0	1.1	25.663	15.227	6207Z	6207-2Z	6207RS	6207-2RS	9400	6300	11000		42.0	42.0	65.0	1.0	0.2900
	80	21.0	1.5	33.367	19.230	6307Z	6307-2Z	6307RS	6307-2RS	8400	5600	10000		42.0	44.0	71.0	1.5	0.4600
40	68	15.0	1.0	16.824	11.493	6008Z	6008-2Z	6008RS	6008-2RS	9400	6300	11000	40	44.0	46.0	63.0	1.0	0.1950
	80	18.0	1.1	32.633	19.887	6208Z	6208-2Z	6208RS	6208-2RS	8400	5600	10000		47.0	48.0	73.0	1.0	0.3670
	90	23.0	1.5	40.760	24.017	6308Z	6308-2Z	6308RS	6308-2RS	7900	5300	9400		47.0	50.6	81.0	1.5	0.6350
45	75	16.0	1.0	21.100	15.300	6009Z	6009-2Z	6009RS	6009-2RS	8400	5600	10000	45	49.0	51.5	70.0	1.0	0.2490
	85	19.0	1.1	32.687	20.323	6209Z	6209-2Z	6209RS	6209-2RS	7900	5300	9400		52.0	52.5	78.0	1.0	0.4100
	100	25.0	1.5	52.804	31.715	6309Z	6309-2Z	6309RS	6309-2RS	7100	4700	8400		52.0	56.0	91.0	1.5	0.8330
50	80	16.0	1.0	21.720	16.650	6010Z	6010-2Z	6010RS	6010-2RS	7900	5300	9400	50	54.0	56.5	75.0	1.0	0.2640
	90	20.0	1.1	35.066	23.266	6210Z	6210-2Z	6210RS	6210-2RS	7100	4700	8400		57.0	58.0	83.0	1.0	0.4640
	110	27.0	2.0	61.754	37.745	6310Z	6310-2Z	6310RS	6310-2RS	6300	4200	7500		60.0	61.8	100.0	2.0	1.0800
55	90	18.0	1.1	28.216	21.318	6011Z	6011-2Z	6011RS	6011-2RS	7100	4700	8400	55	60.0	62.5	84.0	1.0	0.3900
	100	21.0	1.5	43.350	29.397	6211Z	6211-2Z	6211RS	6211-2RS	6700	4500	7900		62.0	65.0	91.0	1.5	0.6110
	120	29.0	2.0	71.000	44.700	6311Z	6311-2Z	6311RS	6311-2RS	5600	3800	6700		65.0	67.0	110.0	2.0	1.3800
60	95	18.0	1.1	29.343	23.256	6012Z	6012-2Z	6012RS	6012-2RS	6700	4500	7900	60	65.0	68.0	88.0	1.0	0.4200
	110	22.0	1.5	52.486	35.786	6212Z	6212-2Z	6212RS	6212-2RS	6000	4000	7100		67.0	70.2	101.0	1.5	0.7870
	130	31.0	2.1	81.500	52.100	6312Z	6312-2Z	6312RS	6312-2RS	5300	3500	6300		72.0	75.0	118.0	2.0	1.7200
65	100	18.0	1.1	30.500	25.100	6013Z	6013-2Z	6013RS	6013-2RS	6300	4200	7500	65	70.0	73.0	93.0	1.0	0.4400
	120	23.0	1.5	57.210	40.011	6213Z	6213-2Z	6213RS	6213-2RS	5300	3500	6300		72.0	77.0	111.0	1.5	0.9950
	140	33.0	2.1	92.600	59.600	6313Z	6313-2Z	6313RS	6313-2RS	5000	3300	6000		76.0	78.0	128.0	2.0	2.1000
70	110	20.0	1.1	37.960	30.959	6014Z	6014-2Z	6014RS	6014-2RS	5600	3800	6700	70	75	78	103	1.0	0.6180
	125	24.0	1.5	62.000	43.800	6214Z	6214-2Z	6214RS	6214-2RS	5300	3500	6300		77	82	116	1.5	1.0900
	150	35.0	2.1	104.000	68.100	6314Z	6314-2Z	6314RS	6314-2RS	4700	3200	5600		81	85	138	2.0	2.5300
75	115	20.0	1.1	39.747	33.170	6015Z	6015-2Z	6015RS	6015-2RS	5300	3500	6300	75	80	83	108	1.0	0.6400
	130	25.0	1.5	66.179	49.311	6215Z	6215-2Z	6215RS	6215-2RS	5000	3300	6000		82	85	121	1.5	1.1900
	160	37.0	2.1	114.000	76.400	6315Z	6315-2Z	6315RS	6315-2RS	4200	2800	5000		86	93	148	2.0	3.0300
80	125	22.0	1.1	47.500	39.800	6016Z	6016-2Z	6016RS	6016-2RS	5000	3300	6000	80	85	90	118	1.0	0.8600
	140	26.0	2.0	72.200	53.100	6216Z	6216-2Z	6216RS	6216-2RS	4700	3200	5600		90	92	130	2.0	1.4100
	170	39.0	2.1	122.850	86.226	6316Z	6316-2Z			4000		4700		91	99	158	2.0	3.6200
85	130	22.0	1.1	49.794	42.609	6017Z	6017-2Z			4700		5600	85	90	95	123	1.0	0.8900
	150	28.0	2.0	83.299	63.675	6217Z	6217-2Z	6217RS	6217-2RS	4200	2800	5000		95	99	140	2.0	1.7900
	180	41.0	3.0	132.507	96.069	6317Z	6317-2Z			3800		4500		98	103	166	2.5	4.2600
90	160	30.0	2.0	96.200	70.800	6218Z	6218-2Z			4000		4700	90	100	105	150	2.0	2.1600
	190	43.0	3.0	143.000	104.000	6318Z	6318-2Z			3400		4200		103	108	176	2.5	5.1500
100	150	24.0	1.5	60.000	54.000	6020Z	6020-2Z			4200		5000	100	106	110	142	1.5	1.2700