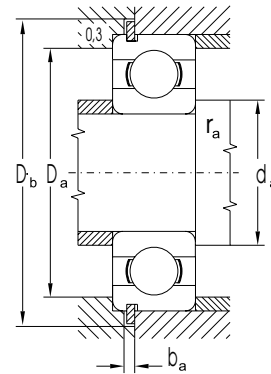
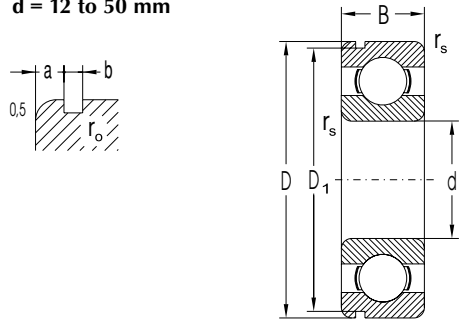


# Single Row Deep Groove Ball Bearings with Snap Ring Groove on Outer Ring

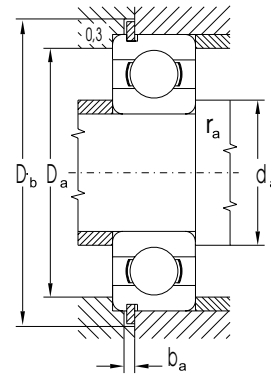
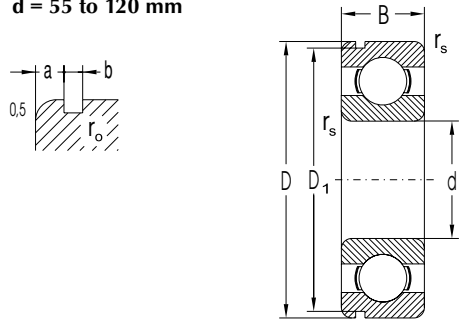
d = 12 to 50 mm



Dimensions								Basic Load Rating		Limiting Speed for Lubrication with		Bearing Designation	Abutment and Fillet Dimensions						Weight ~	Respective snap ring
d	D	B	r <sub>s</sub> min	D <sub>1</sub> max	a max	b min	r <sub>o</sub> max	C <sub>r</sub> Dynamic	C <sub>or</sub> Static	Grease	Oil		d min	d <sub>a</sub> min	D <sub>a</sub> max	D <sub>b</sub> min	b <sub>a</sub> min	r <sub>a</sub> max		
mm								kN		min <sup>-1</sup>			mm						kg	
12	32	10.0	0.66	30.15	2.06	1.35	0.4	6.905	3.100	22000	27000	<b>6201N</b>	12	16	28	39	1.4	0.6	0.0370	R32
	32	14.0	0.66	30.15	2.06	1.35	0.4	6.905	3.100	22000	27000	<b>62201N</b>	16	28	39	39	1.4	0.6	0.0450	R32
15	35	11.0	0.60	33.17	2.06	1.35	0.4	7.718	3.745	20000	24000	<b>6202N</b>	15	19	31	41	1.4	0.6	0.0300	R35
	35	14.0	0.60	33.17	2.06	1.35	0.4	7.718	3.745	20000	24000	<b>62202N</b>	19	31	41	41	1.4	0.6	0.0540	R35
17	40	12.0	0.60	38.10	2.06	1.35	0.4	9.534	4.734	18000	21000	<b>6203N</b>	17	21	36	46	1.5	0.6	0.0730	R40
	40	16.0	0.60	38.10	2.06	1.35	0.4	9.534	4.734	18000	21000	<b>62203N</b>	21	36	46	46	1.5	0.6	0.0830	R40
	47	14.0	1.00	44.60	2.46	1.35	0.4	13.565	6.563	16000	19000	<b>6303N</b>	23	41	54	54	1.5	1.0	0.1150	R47
20	42	12.0	0.60	39.75	2.06	1.35	0.4	9.371	4.972	17000	20000	<b>6004N</b>	20	24	38	47.5	1.5	0.6	0.0700	R42
	47	14.0	1.00	44.60	2.46	1.35	0.4	12.774	6.553	15000	18000	<b>6204N</b>	25	42	54	54	1.5	1.0	0.1080	R47
	40	15.0	1.10	49.73	2.46	1.35	0.4	15.866	7.811	14000	17000	<b>6304N</b>	26	45	59	59	1.5	1.0	0.1450	R52
	52	21.0	1.10	49.73	2.46	1.35	0.4	15.866	7.811	14000	17000	<b>62304N</b>	26	45	59	59	1.5	1.0	0.2000	R52
25	47	12.0	0.60	44.60	2.06	1.35	0.4	10.070	5.806	14000	17000	<b>6005N</b>	25	28	43	54	1.5	0.6	0.0820	R47
	52	15.0	1.00	49.73	2.46	1.35	0.4	14.029	7.940	12600	15000	<b>6205N</b>	30	47	59	59	1.5	1.0	0.1290	R52
	52	18.0	1.00	49.73	2.46	1.35	0.4	14.029	7.940	12600	15000	<b>62205N</b>	30	47	59	59	1.5	1.0	0.1500	R52
	62	17.0	1.10	59.61	3.28	1.90	0.6	21.123	10.806	11000	13000	<b>6305N</b>	31	55	69	69	2.2	1.0	0.2300	R62
	62	24.0	1.10	59.61	3.28	1.90	0.6	21.123	10.806	11000	13000	<b>62305N</b>	31	55	69	69	2.2	1.0	0.3200	R62
	80	21.0	1.50	76.81	3.28	1.90	0.6	36.000	19.200	9400	11000	<b>6405N</b>	34	70	88	88	2.2	1.5	0.5300	R80
	55	13.0	1.00	52.60	2.08	1.90	0.4	13.243	8.253	12000	14000	<b>6006N</b>	30	34	50	62	1.5	1.0	0.1190	R55
30	62	16.0	2.00	59.61	3.28	1.90	0.6	19.443	11.186	11000	13000	<b>6206N</b>	35	57	69	69	2.2	1.0	0.2000	R62
	62	20.0	2.00	59.61	3.28	1.90	0.6	19.443	11.186	11000	13000	<b>62206N</b>	35	57	69	69	2.2	1.0	0.2400	R62
	72	19.0	1.10	68.81	3.28	1.90	0.6	29.701	15.678	10000	12000	<b>6306N</b>	36	65	80	80	2.2	1.0	0.3310	R72
	90	23.0	1.50	86.79	3.28	2.70	0.6	43.000	23.700	8400	10000	<b>6406N</b>	39	80	98	98	3.0	1.5	0.7250	R90
35	62	14.0	1.00	59.61	2.06	1.90	0.6	15.956	10.328	10600	12600	<b>6007N</b>	35	39.5	57	69	2.2	1.0	0.1540	R62
	72	17.0	1.10	68.81	3.28	1.90	0.6	25.663	15.277	9400	11000	<b>6207N</b>	42	65	80	80	2.2	1.0	0.2840	R72
	80	21.0	1.50	78.81	3.28	1.90	0.6	33.367	19.230	8400	10000	<b>6307N</b>	42	71	88	88	2.2	1.5	0.4470	R80
	100	25.0	1.50	96.80	3.28	2.70	0.6	55.200	31.000	7500	8900	<b>6407N</b>	44	90	108	108	3.0	1.5	0.9540	R100
40	68	15.0	1.00	64.82	2.49	1.90	0.6	16.824	11.493	9400	11000	<b>6008N</b>	40	44	63	76	2.2	1.0	0.1910	R68
	80	18.0	1.10	76.81	3.28	1.90	0.6	32.633	19.887	8400	10000	<b>6208N</b>	47	73	88	88	2.2	1.0	0.3490	R80
	90	23.0	1.50	86.79	3.28	2.70	0.6	40.760	24.017	7900	9400	<b>6308N</b>	47	81	98	98	3.0	1.5	0.6250	R90
	110	27.0	2.00	106.81	3.28	2.70	0.6	63.100	36.200	6700	7900	<b>6408N</b>	50	97	118	118	3.0	3.0	1.2300	R110
45	75	16.0	1.00	71.83	2.49	1.90	0.6	21.100	15.300	8400	10000	<b>6009N</b>	45	49	70	83	2.2	1.0	0.2410	R75
	85	19.0	1.10	81.81	3.28	1.90	0.6	32.687	20.325	7900	9400	<b>6209N</b>	52	78	93	93	2.2	1.0	0.4040	R85
	100	25.0	1.50	96.80	3.28	2.70	0.6	52.804	31.715	7100	8400	<b>6309N</b>	52	91	108	108	3.0	1.5	0.8280	R100
	120	29.0	2.00	115.21	4.06	3.10	0.6	76.500	44.700	6000	7100	<b>6409N</b>	55	107	131	131	3.5	2.0	1.5400	R120
50	80	16.0	1.00	76.81	2.49	1.90	0.6	21.720	16.650	7900	9400	<b>6010N</b>	50	54	75	88	2.2	1.0	0.2600	R80
	90	20.0	1.10	86.79	3.28	2.70	0.6	35.066	23.226	7100	8400	<b>6210N</b>	57	83	98	98	3.0	1.0	0.4600	R90
	110	27.0	2.00	106.81	3.28	2.70	0.6	61.900	37.600	6300	7500	<b>6310N</b>	60	100	118	118	3.0	2.0	1.0600	R110

# Single Row Deep Groove Ball Bearings with Snap Ring Groove on Outer Ring

d = 55 to 120 mm



Dimensions								Basic Load Rating		Limiting Speed for Lubrication with		Bearing Designation	Abutment and Fillet Dimensions						Weight ~	Respective snap ring
d	D	B	r <sub>s</sub> min	D <sub>1</sub> max	a max	b min	r <sub>o</sub> max	C <sub>r</sub> Dynamic	C <sub>or</sub> Static	Grease	Oil		d min	d <sub>a</sub> min	D <sub>a</sub> max	D <sub>b</sub> min	b <sub>a</sub> min	r <sub>a</sub> max		
mm								kN		min <sup>-1</sup>			mm						kg	
55	90	18.0	1.10	86.79	2.87	2.70	0.6	28.200	21.318	7100	8400	<b>6011N</b>	55	60	84	98	3.0	1.0	0.3830	R90
	100	21.0	1.50	96.80	3.28	2.70	0.6	43.350	29.397	6700	7900	<b>6211N</b>		62	91	108	3.0	1.5	0.5970	R100
	120	29.0	2.00	115.21	4.06	3.10	0.6	71.000	44.700	5600	6700	<b>6311N</b>		65	110	131	3.5	2.0	1.3800	R120
	140	33.0	2.10	135.23	4.90	3.10	0.6	100.000	61.900	5300	6300	<b>6411N</b>		68	126	151	3.5	2.0	2.2900	R140
60	95	18.0	1.10	91.82	2.87	2.70	0.6	29.343	23.256	6700	7900	<b>6012N</b>	60	65	88	103	3.0	1.0	0.4110	R95
	110	22.0	1.50	106.81	3.82	2.70	0.6	52.486	35.786	6000	7100	<b>6212N</b>		67	101	110	3.0	1.5	0.7710	R110
	130	31.0	2.10	125.22	4.06	3.10	0.6	81.500	52.100	5300	6300	<b>6312N</b>		72	118	141	3.5	2.0	1.7200	R130
	150	35.0	2.10	145.24	4.90	3.10	0.6	110.000	69.400	4700	5600	<b>6412N</b>		73	136	162	3.5	2.0	2.7600	R150
65	100	18.0	1.10	96.80	2.87	2.70	0.6	30.500	25.100	6300	7500	<b>6013N</b>	65	70	93	108	3.0	1.0	0.4370	R100
	120	23.0	1.50	115.21	4.06	3.10	0.6	57.210	40.011	5300	6300	<b>6213N</b>		72	111	131	3.5	1.5	0.9970	R120
	140	33.0	2.10	135.23	4.90	3.10	0.6	92.600	59.600	5000	6000	<b>6313N</b>		76	128	148	3.5	2.0	2.1000	R140
	160	37.0	2.10	155.22	4.90	3.10	0.6	117.950	78.329	4500	5300	<b>6413N</b>		78	146	172	3.5	2.0	3.2800	R160
70	110	20.0	1.10	106.81	2.87	2.70	0.6	37.960	30.959	5600	6700	<b>6014N</b>	70	75	103	118	3.0	1.0	0.6040	R110
	125	24.0	1.50	120.22	4.06	3.10	0.6	62.000	43.800	5300	6300	<b>6214N</b>		77	116	136	3.5	1.5	1.0700	R125
	150	35.0	2.10	145.24	4.90	3.10	0.6	104.000	68.100	4700	5600	<b>6314N</b>		81	138	162	3.5	2.0	2.5400	R150
	180	42.0	3.00	173.66	5.69	3.50	0.6	114.000	104.000	4000	4700	<b>6414N</b>		85	164	195	4.5	2.5	4.8500	R180
75	115	20.0	1.10	111.81	2.87	2.70	0.6	39.747	33.170	5300	6300	<b>6015N</b>	75	80	108	123	3.0	1.0	0.6380	R115
	130	25.0	1.50	125.22	4.06	3.10	0.6	66.170	49.311	5000	6000	<b>6215N</b>		82	121	141	3.5	1.5	1.1800	R130
	160	37.0	2.10	155.22	4.90	3.10	0.6	114.000	76.400	4200	5000	<b>6315N</b>		86	148	172	3.5	2.0	3.0600	R160
	190	45.0	3.00	183.64	5.69	3.50	0.6	152.529	112.922	3800	4500	<b>6415N</b>		90	174	205	4.5	2.5	5.7400	R190
80	125	22.0	1.10	120.22	2.87	3.10	0.6	47.500	39.800	5000	6000	<b>6016N</b>	80	85	118	136	3.5	1.0	0.8450	R125
	140	26.0	2.00	135.23	4.90	3.10	0.6	72.200	53.100	4700	5600	<b>6216N</b>		90	130	151	3.5	2.0	1.4000	R140
	170	39.0	2.10	163.65	5.69	3.50	0.6	122.850	86.226	4000	4700	<b>6316N</b>		91	158	185	3.5	2.0	3.6300	R170
	200	48.0	3.00	193.65	5.69	3.50	0.6	163.587	124.984	3500	4200	<b>6416N</b>		95	184	215	4.5	2.5	6.7200	R200
85	130	22.0	1.10	125.22	2.87	3.10	0.6	49.794	42.609	4700	5600	<b>6017N</b>	85	91.5	123.5	141	3.5	1.0	0.8920	R130
	150	28.0	2.00	145.24	4.90	3.10	0.6	83.299	63.675	4200	5000	<b>6217N</b>		95	140	162	3.5	2.0	1.8000	R150
	180	41.0	3.00	173.66	5.69	3.50	0.6	132.507	96.069	3800	4500	<b>6317N</b>		98	166	195	4.5	2.5	4.2000	R180
90	140	24.0	1.50	135.23	3.71	3.10	0.6	58.400	49.200	4500	5300	<b>6018N</b>	90	96	132	151	3.5	1.5	1.1700	R140
	160	30.0	2.00	155.22	4.90	3.10	0.6	96.200	70.800	4000	4700	<b>6218N</b>		100	150	172	3.5	2.0	2.1600	R160
95	200	45.0	3.00	193.65	5.69	3.50	0.6	152.444	117.366	3300	4000	<b>6319N</b>	95	109	186	215	4.5	2.5	5.7200	R200
100	150	24.0	1.50	145.24	3.71	3.10	0.6	60.096	54.244	4200	5000	<b>6020N</b>	100	106	142	162	3.5	1.5	1.2700	R150
105	190	36.0	2.10	183.64	5.96	3.50	0.6	132.297	104.833	3300	4000	<b>6221N</b>	105	117	178	205	4.5	2.0	3.7400	R190
120	180	28.0	2.00	173.66	3.71	3.50	0.6	85.000	79.400	3300	4000	<b>6024N</b>	120	188	171	195	4.5	2.0	2.1000	R180